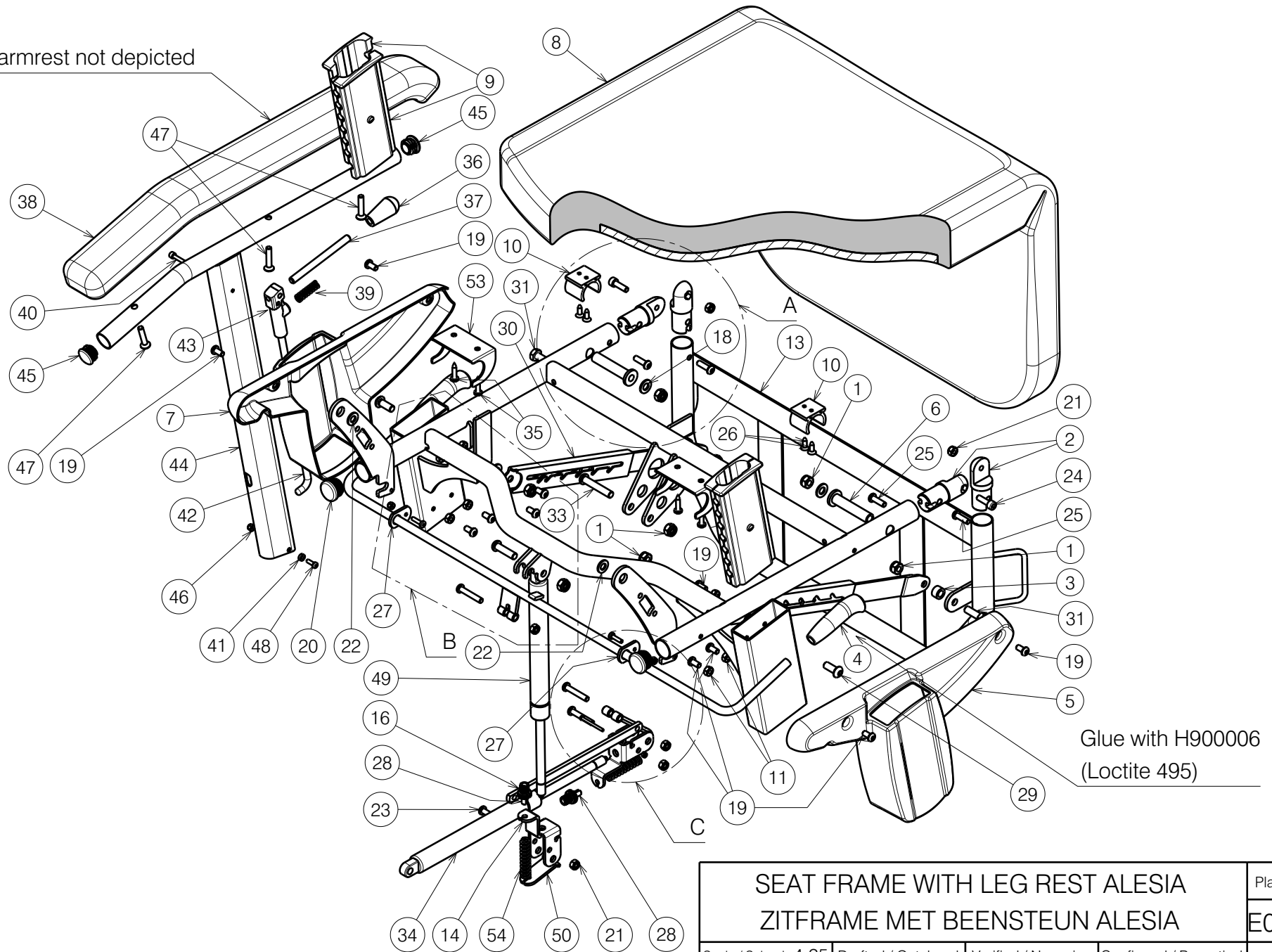


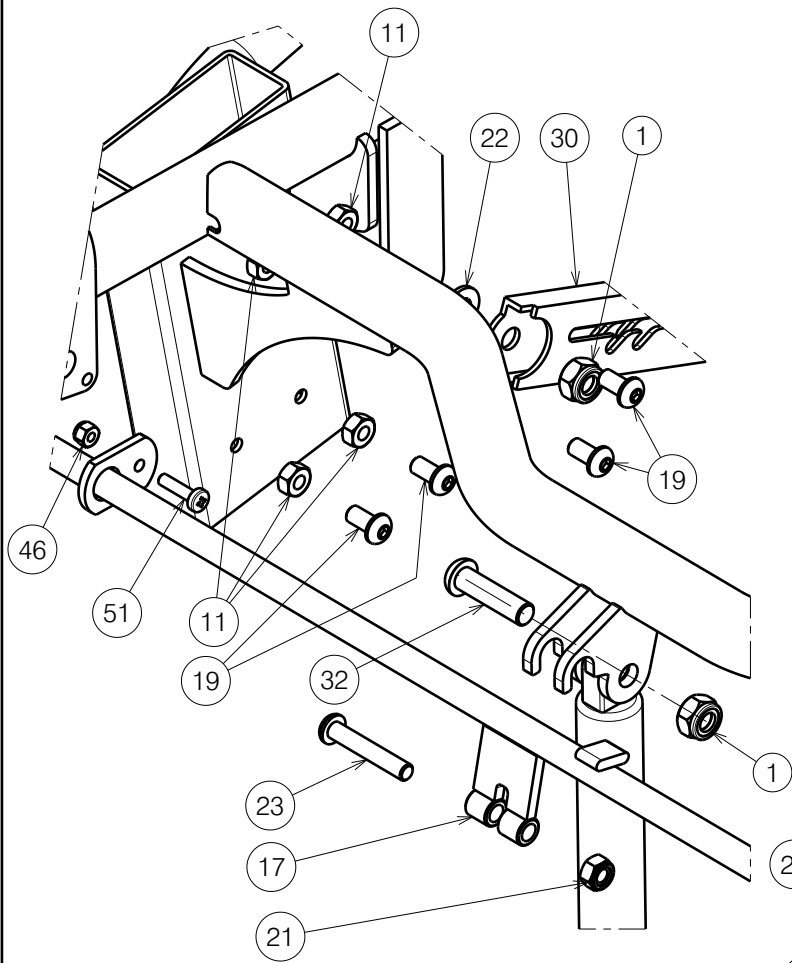
Right armrest not depicted



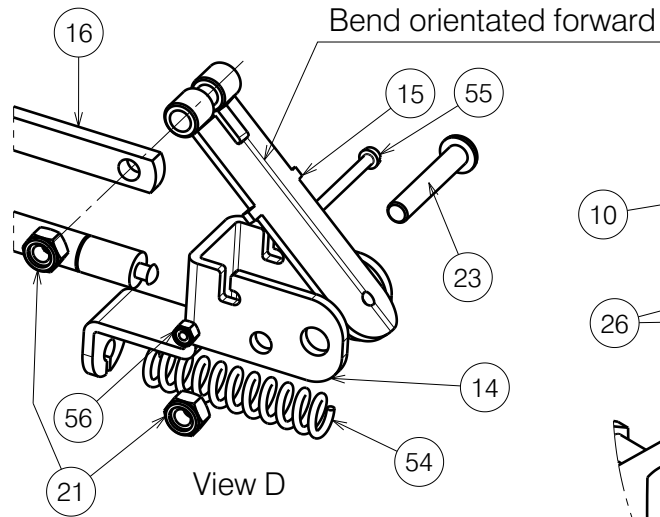
1903208

Glue with H900006
(Loctite 495)

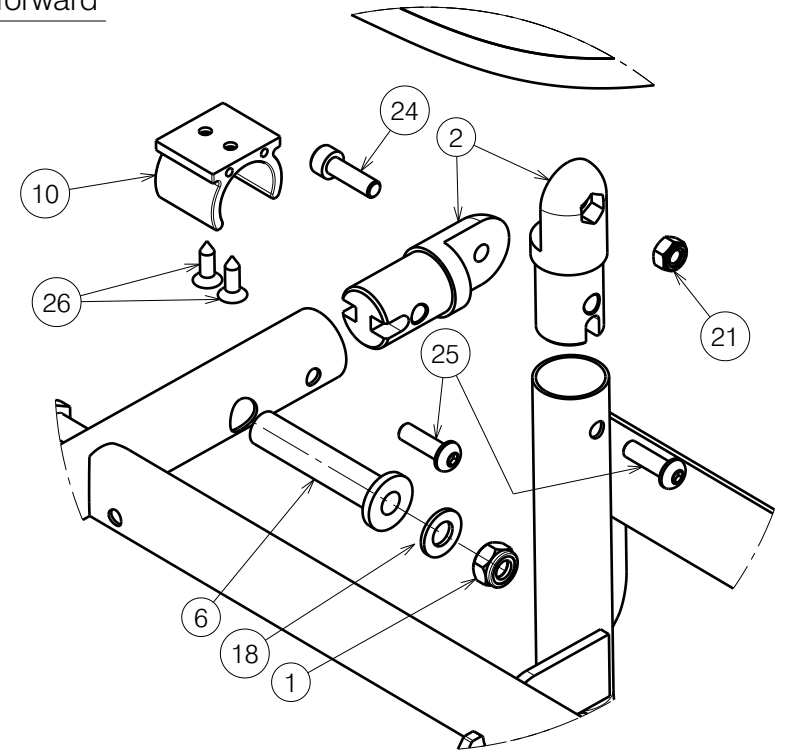
SEAT FRAME WITH LEG REST ALESIA ZITFRAME MET BEENSTEUN ALESIA				Plan No. / Plannr.
				E000472/T
Scale / Schaal: 4:25	Drafted / Getekend	Verified / Nagezien	Confirmed / Bevestigd	
Date / Datum	17/07/2008	01/09/2022	01/09/2022	
Init. / Init.	SD	SD	PJ	



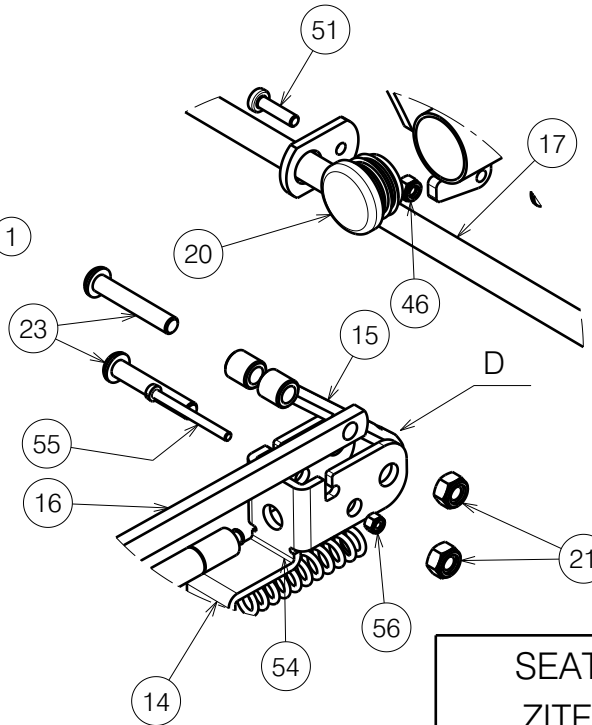
Detail B



View D




Detail A



Detail C

1903208

SEAT FRAME WITH LEG REST ALESIA				Plan No. / Plannr. E000472/T
ZITFRAME MET BEENSTEUN ALESIA				
Scale / Schaal: 4:25	Drafted / Getekend	Verified / Nagezien	Confirmed / Bevestigd	
Date / Datum	17/07/2008	01/09/2022	01/09/2022	
Init. / Init.	SD	SD	PJ	

Material / Materiaal							
No. / Nr.	Plan	Article / Artikel	Quantity	No. / Nr.	Plan	Article / Artikel	Quantity
1	X001016	1001682	8	30	---	1991982	2
2	X003057	1995585	4	31	M8x25 DIN933/8.8	1001442	2
3	X003189	1996167	2	32	M8x30	1992717	2
4	X004020	1902078	2	33	M8x45	1994473	2
5	X004036	1902075	1	34	---	1996871	1
6	X004042	1692400	2	35	Ø4.8x22 DIN9781	2990070	1
7	X004065	1902074	1	36	---	1998407	2
8	X004104	1902291	1	37	XP00176	1824100	2
9	X004347	1903644	4	38	X004355	1902817 (Le/Li)	1
10	XP00106	2990072	2		X004356	1902819 (Ri/Re)	1
11	M6 DIN934	1001670	11	39	XC00423	3991837	2
12	Y008372	1691674	1	40	XP00180	1824500	1
13	Y008449	1687874	1	41	XP00192	1826100	2
14	Y011640	1655100	2	42	XP00208	2990139	2
15	Y013856	1692200	1	43	XP00297	2990125	2
16	Y013857	1692300	1	44	Y013549	1704401 (Le/Li)	1
17	Y013365	1691901	1		Y014450	1704501 (Ri/Re)	1
18	M8 DIN126	1001554	2	45	---	1990648	4
19	M6x12	1007000	12	46	M4 DIN985	1001678	2
20	---	1001608	2	47	M6x30	1007954	6
21	M6 DIN985	1001680	6	48	M4x12 DIN9785H	1900952	2
22	M8 DIN125	1003199	4	49	---	1005602	6
23	M6x35	1006057	4	50	Y011652	1655200	2
24	M6x20 DIN912/8.8	1001493	2	51	M4x16	2990185	2
25	M6x20	1006999	4	53	YP00717	1821854	1
26	Ø3.9x16 DIN7982	1005767	4	54	---	1910774	2
27	Y015130	1432074	2	55	M3x35 DIN84	1911642	1
28	M7	1900008	2	56	M3 DIN985	1997899	1
29	M8x20	1992349	2				

1903208

SEAT FRAME WITH LEG REST ALESIA ZITFRAME MET BEENSTEUN ALESIA				Plan No. / Plannr.
				E000472/T
Scale / Schaal: 4:25	Drafted / Getekend	Verified / Nagezien	Confirmed / Bevestigd	
Date / Datum	17/07/2008	01/09/2022	01/09/2022	
Init. / Init.	SD	SD	PJ	