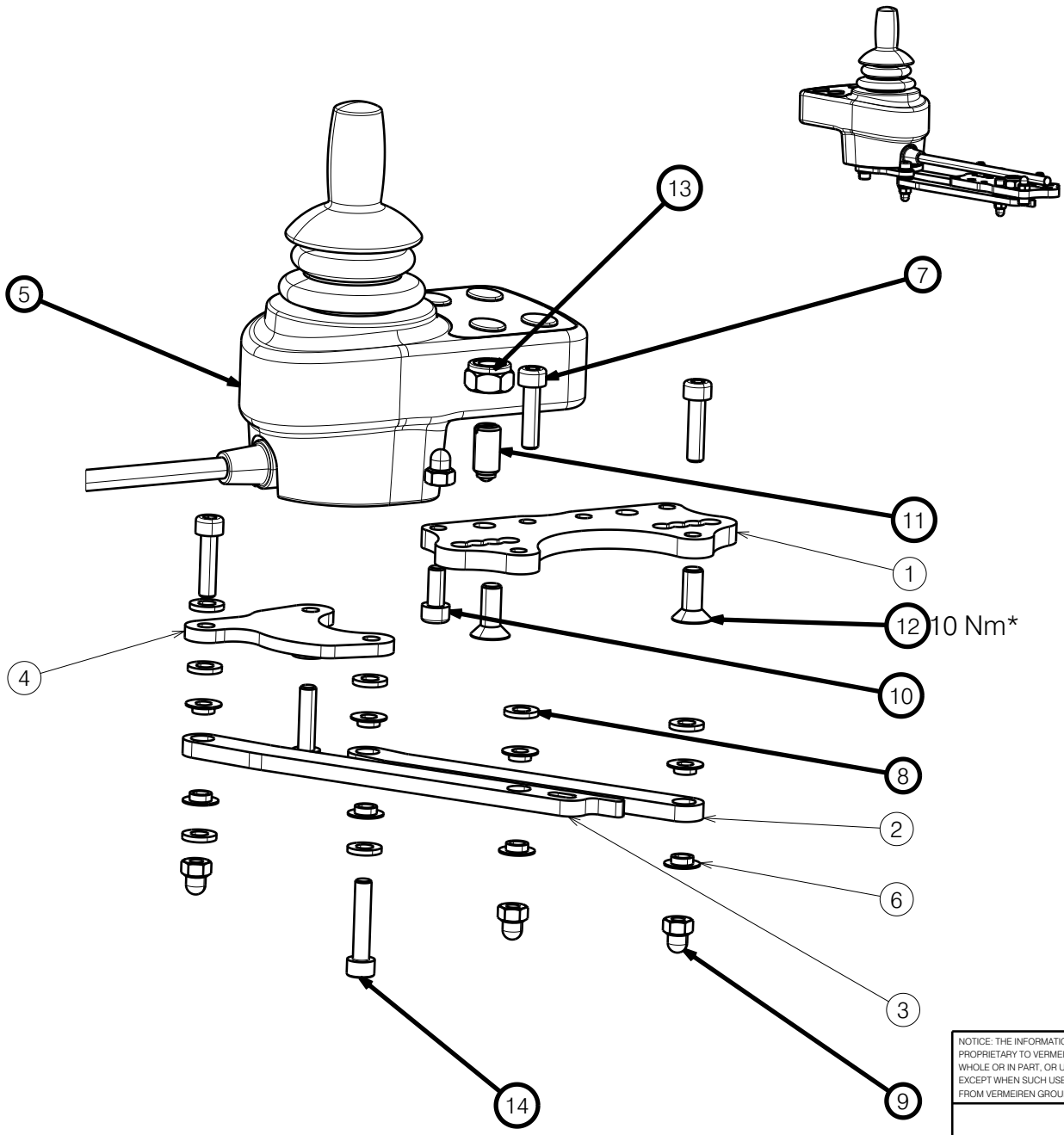


1:5



10 Nm*

No.	Plan	Article	Qty
1	P00065384	26791	1
2	P00065219	26792	1
3	P00065394	26793	1
4	P00065220	26794	1
5	CONTROLLER	1919239	1
6	XP02584	2994386	8
7	M5X20 DIN912 BLACK	1915452	4
8	WASHER M5 DIN125 A	2994069	8
9	NUT M5 DIN986 BLACK	2994902	4
10	M5x12 DIN912	2994072	1
11	PIN M8	2998094	1
12	M6X16 DIN7991 BLACK	2994064	2
13	NUT M8 BLACK	2994009	1
14	M5X25 DIN912 BLACK	2994906	1

*Use: WEICONLOCK AN 302-43

NOTICE: THE INFORMATION CONTAINED ON THIS DRAWING IS PROPRIETARY TO VERMEIREN GROUP AND SHALL NOT BE DISCLOSED IN WHOLE OR IN PART, OR USED FOR ANY DESIGN OR MANUFACTURE, EXCEPT WHEN SUCH USER POSSESSES DIRECT WRITTEN AUTHORISATION FROM VERMEIREN GROUP.

2998093

SWING AWAY LEFT PLEGO

Plan No.
E00066678/B.1

Scale:	1:2	Drafted	Verified	Confirmed
Date	08/05/2023	13/10/2023	13/10/2023	
Initials	BK	PM	MK	

