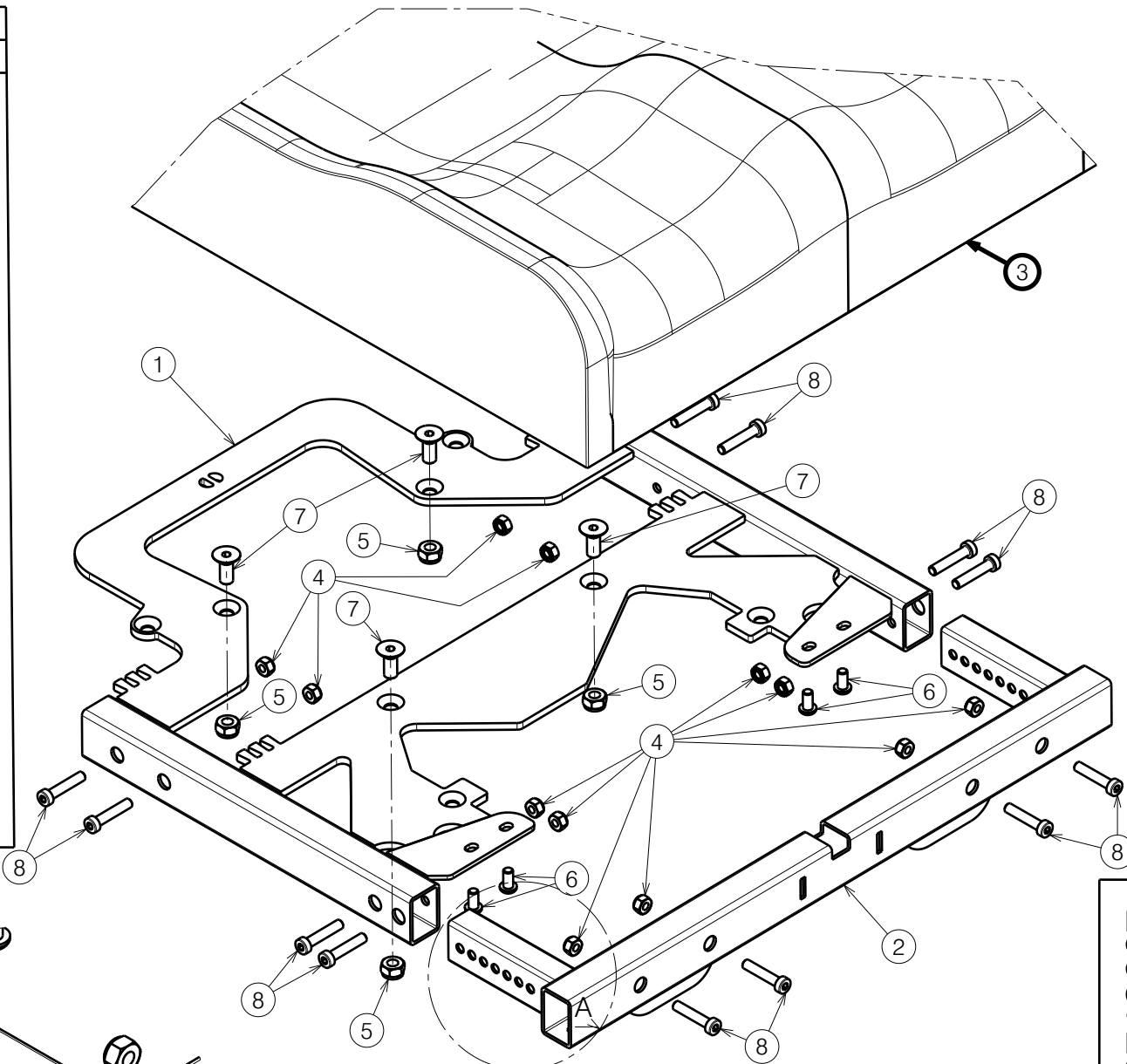
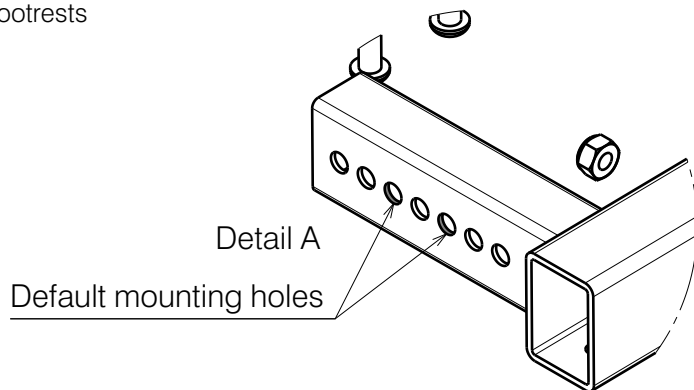


Material			
No.	Plan	Article	Quantity
1	Y017414	1775254 (40)	1
	Y017984	1769754 (45)	1
	Y017889	1776054 (50)	1
2A	Y018411	1778354 (40)	1
	Y018368	1778454 (45)	1
	Y018369	1778554 (50)	1
2B	Y018159	1775654 (40)	1
	Y017927	1773954 (45)	1
	Y018145	1775954 (50)	1
2C	Y024071	2080754 (40)	1
	Y024008	2078754 (45)	1
	Y024072	2080854 (50)	1
3	Grey Soft / Black skai	1907467 (40)	1
	Grey Soft / Black skai	1907468 (45)	1
	Grey Soft / Black skai	1907469 (50)	1
	Black Soft / Black skai	2998238 (40)	1
	Black Soft / Black skai	2998239 (45)	1
	Black Soft / Black skai	2998240 (50)	1
4	M6 DIN985	1001680	12
5	M8 DIN985	1001682	4
6	M6x12 ISO7380	1007000	4
7	M8x20 DIN7991	1903136	4
8	M6x30 DIN7984	1915416	12




2A For B06 and BZ7(E) footrests  
 2B For BZ10E legrest  
 2C For BZ10 attachment



2993725

E001105 / E

SIGMA SEAT FRAME L35				Plan No.
				E001105 / E
Scale: 1:4	Drafted	Verified	Confirmed	
Date	21/06/2018	2/01/2024	2/01/2024	
Initials	SD	PM	MK	