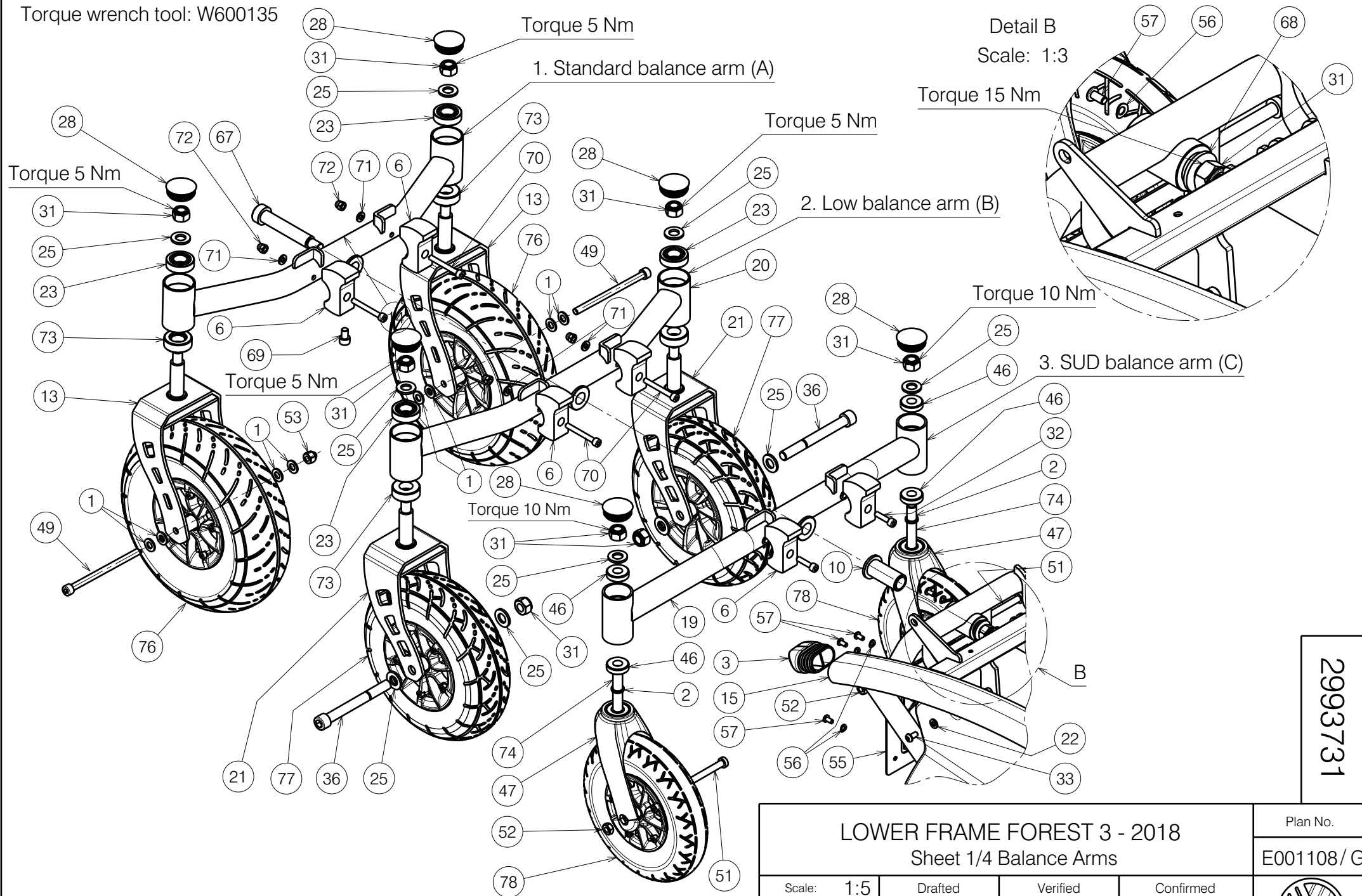


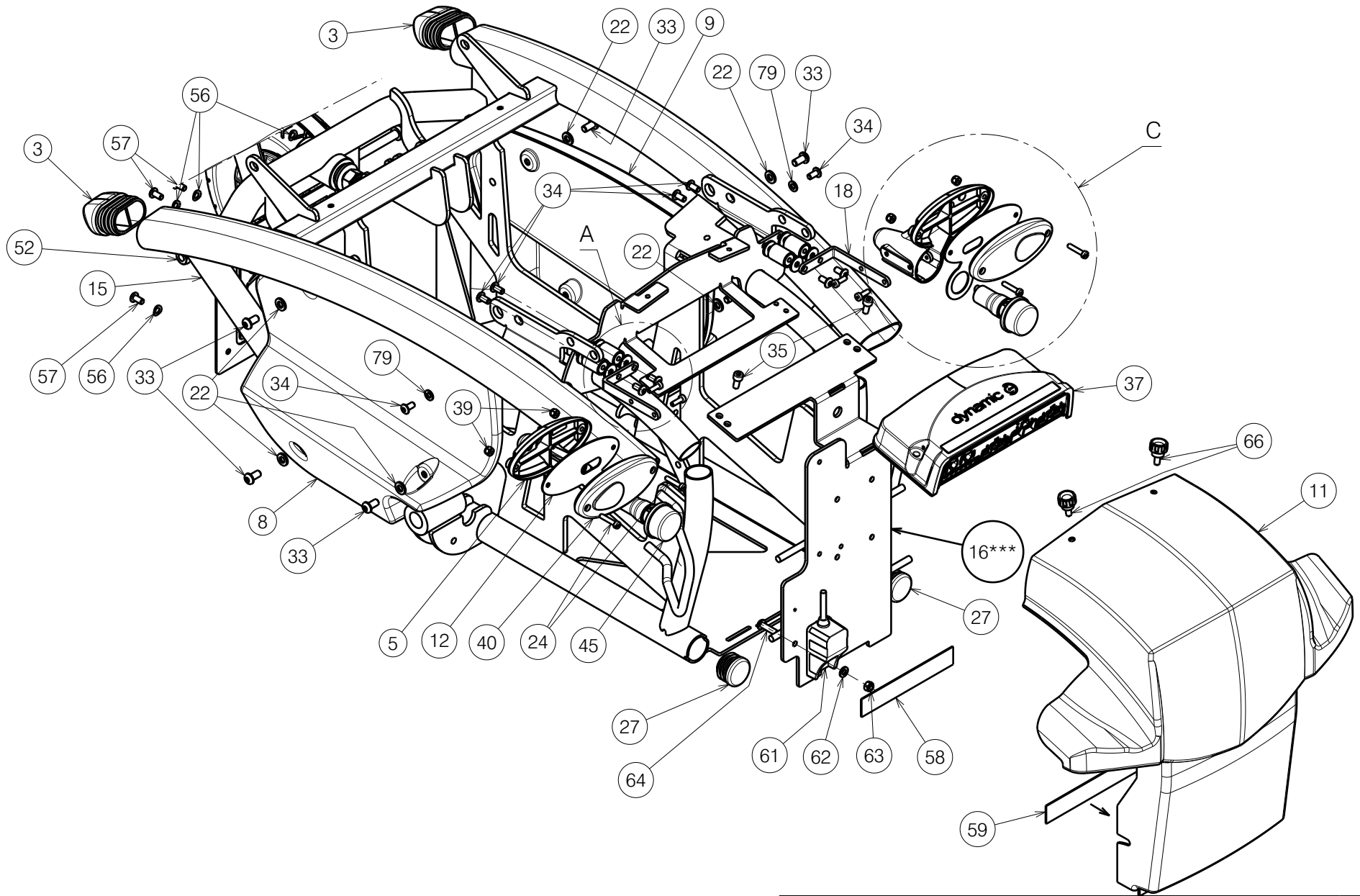
Torque wrench tool: W600135




E001108 / G

2993731

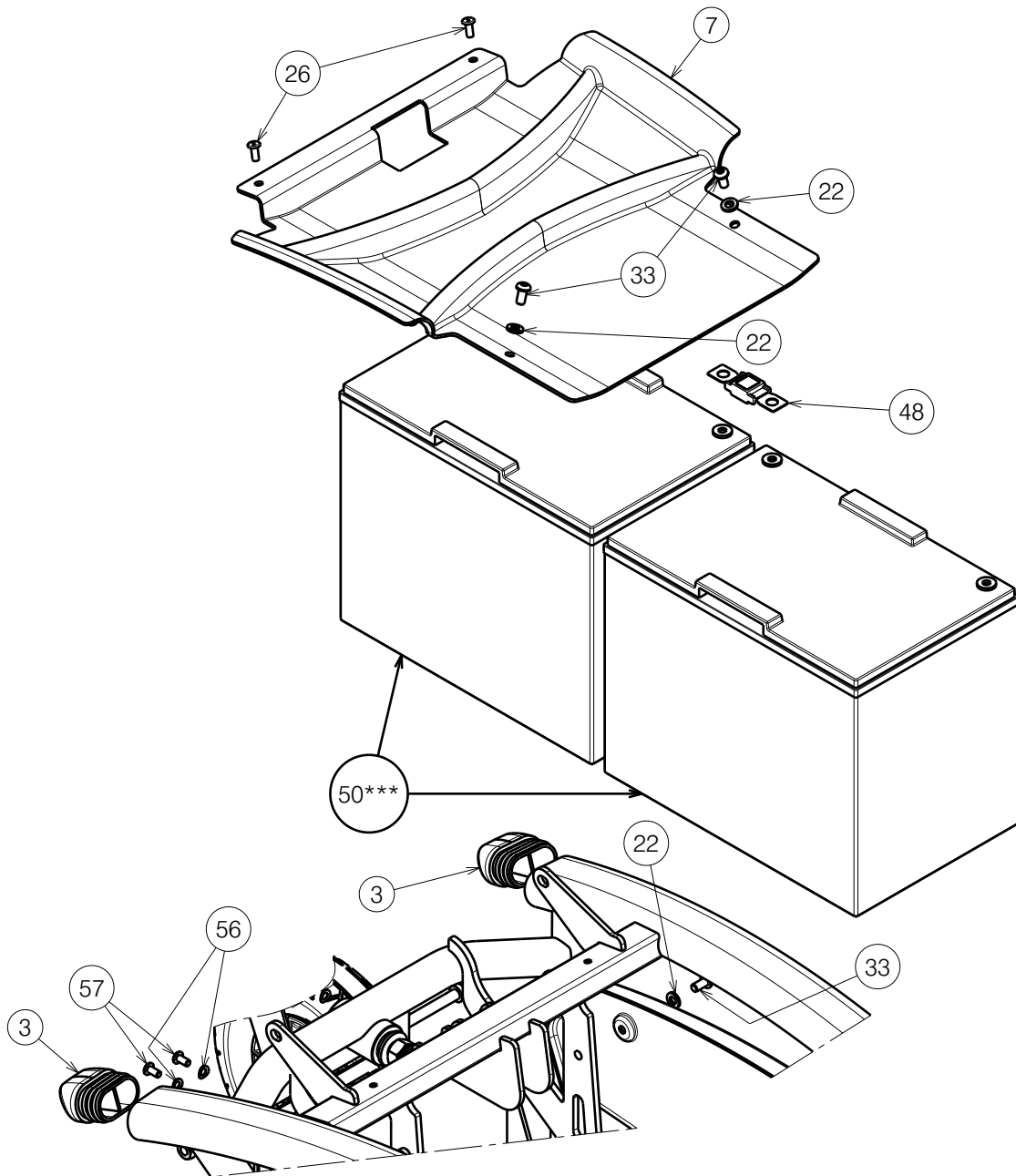
LOWER FRAME FOREST 3 - 2018 Sheet 1/4 Balance Arms				Plan No.
				E001108 / G
Scale: 1:5	Drafted	Verified	Confirmed	
Date	03/07/2018	09/05/2022	09/05/2022	
Initials	SD	PM	AZ	



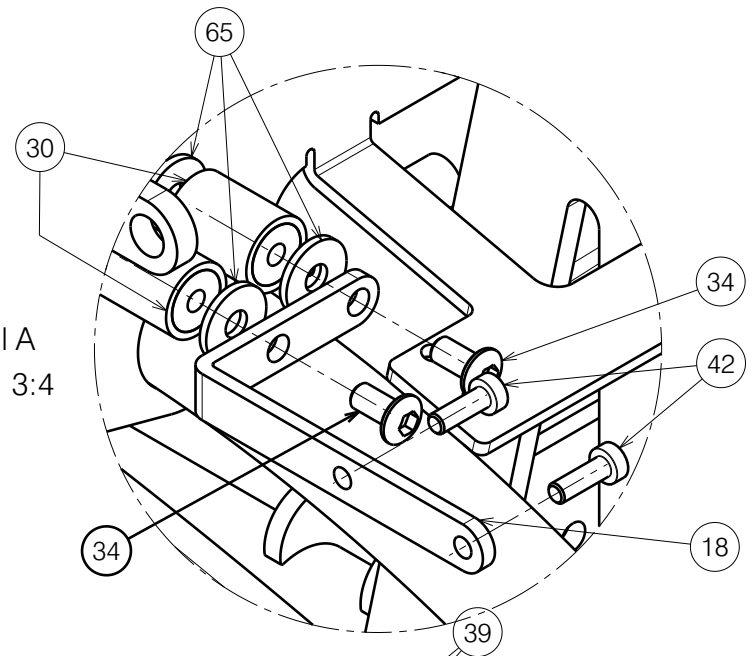
2993731

<p>LOWER FRAME FOREST 3 - 2018 Sheet 2/4 Rear Frame</p>				Plan No.
				E001108 / G
Scale: 1:5	Drafted	Verified	Confirmed	
Date	03/07/2018	09/05/2022	09/05/2022	
Initials	SD	PM	AZ	

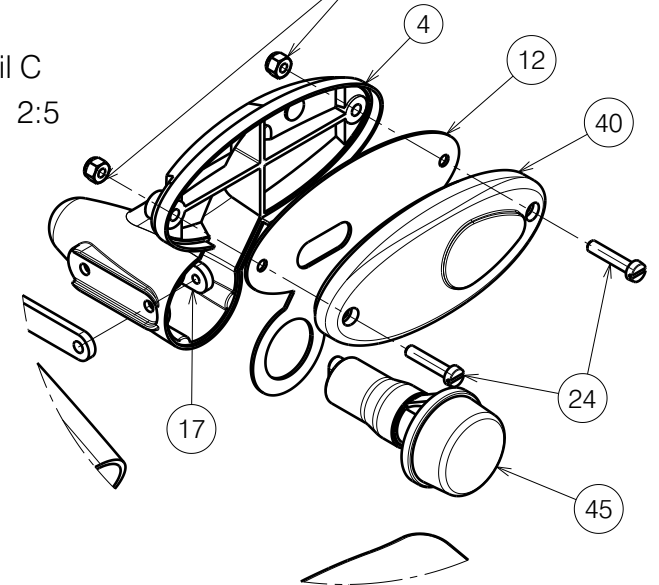
E001108 / G



Detail A
Scale: 3:4




Detail C
Scale: 2:5



2993731

E001108 / G

LOWER FRAME FOREST 3 - 2018				Plan No. E001108 / G
Sheet 3/4 Batteries - Top Cover				
Scale: 1:5	Drafted	Verified	Confirmed	
Date	03/07/2018	09/05/2022	09/05/2022	
Initials	SD	PM	AZ	

Material

No.	Plan	Article	Quantity	No.	Plan	Article	Quantity	No.	Plan	Article	Quantity
1	X001119	1001554 (A)	8	37	---	1912294 (60A)	1	65**	M5 DIN9021	1005138	8
2	X000188	G078500 (C)	2		---	1912302 (75A)	1	66	M5x10	1911896	2
3	X004778	1908255	2		---	1912415 (120A)*	1	67	M12x80 ISO7379	1907488	1
4**	X004939	1907375	1	39**	M4 DIN985 Bl.	1907202	4	68	M12 Type M	1911902	1
5**	X004940	1907374	1	40**	---	1907338	2	69	M8x12 DIN912	1008963	1
6	X005449	1911074	2	42**	M4X12 DIN7984	1907582	4	70	M6x50 DIN912	1007970 (A/B)	2
7	X005104	1909382	1	45**	---	1991679	2	71	M6 DIN125A	1001564 (A/B)	2
8	X005108	1909383	1	46	X005590	1912550 (C)	4	72	M6	1008492 (A/B)	2
9	X005109	1909384	1	47	---	2990526 (C)	2	73	X005589	1912549 (A/B)	2
10	X005141	1910010	1	48	150 A	1910488	1	74	M12x90 DIN931	3993638 (C)	2
11	X005271	1909996	1	49	M8x120 DIN912	1994676 (A)	2	75	M4x16	2990185	2
12**	Y017936	1759054	2	50*** a)	80 A	1909646	2	76 (A)	Block grey	1915158	2
13	Y018567	17734.. (A)	2	b)	---	1917931	2		Block black	1915159	2
14	Y019579	20524.. (A)	1	51	M8X76 DIN912	1998993 (C)	2		Line black L	1915160	1
15	Y019337 DP	17898..	1	52	M8	1998994 (C)	2		Line black R	1915161	1
16*** a)	Y020892	2004454	1	53	M8x14	1902024 (A/B)	2		Line bl. L Rolkofill	1915162	1
b)	Y019422	1792754	1	55	Y021022	2007554	1		Line bl. R Rolkofill	1915163	1
17**	Y019695	1786500	2	56	M5 DIN137A	1992854	4		Block bl. Rolkofill	1915164	2
18**	Y022989	2052554	2	57	M5x10 Black	2991862	4	77 (B)	Grey	1915165	2
19	Y020042	17942.. (C)	1	58	---	1990663	119 mm		Black	1915166	2
20	Y023060	20523.. (B)	1	59	---	1990369	119 mm		Black Rolkofill	1915167	2
21	Y020260	17972.. (B)	2	61	Gyro Linx	1912309 (opt.)	1	78 (C)	Line black	1915168	2
22	M6 DIN125	1000973	8	62	M5 DIN125	1001550 (opt.)	1		Line grey	1915169	2
23	---	1001409 (A/B)	2	63	M5 DIN985	1001679 (opt.)	1		Line bl. L Rolkofill	1915170	1
24**	M4X20 DIN84	1001466	4	64	M5x20	1998368 (opt.)	1		Line bl. R Rolkofill	1915171	1
25	M12 DIN125A	1001561	2/6 (B)					79	M5 DIN125	1000972	2
26	Ø4.8x12	1001585	2								
27	---	1001606	2								
28	Ø38	1001611	2								
30**	---	1910745	4								
31	M12 DIN985	1001684	3/5 (B)								
32	M6x25 DIN912	1001494 (C)	2								
33	M6x12 ISO7380	1007000	8								
34**	M5x10 ISO7380	1007063	10								
35	M5x12 DIN912	1001489	2								
36	M12x110 DIN912	1907346 (B)	2								

(A) Standard balance arm
 (B) Low balance arm
 (C) Stand up device balance arm
 * Only with 6 or 10 kph motors (XD version)
 ** For SE19 optional lighting
 *** Use together 16***a) with 50***a) or 16***b) with 50***b)

2993731

LOWER FRAME FOREST 3 - 2018

Sheet 4/4 Bill of Material

Plan No.

E001108 / G

Scale: 1:5	Drafted	Verified	Confirmed
Date	03/07/2018	09/05/2022	09/05/2022
Initials	SD	PM	AZ



E001108 / G