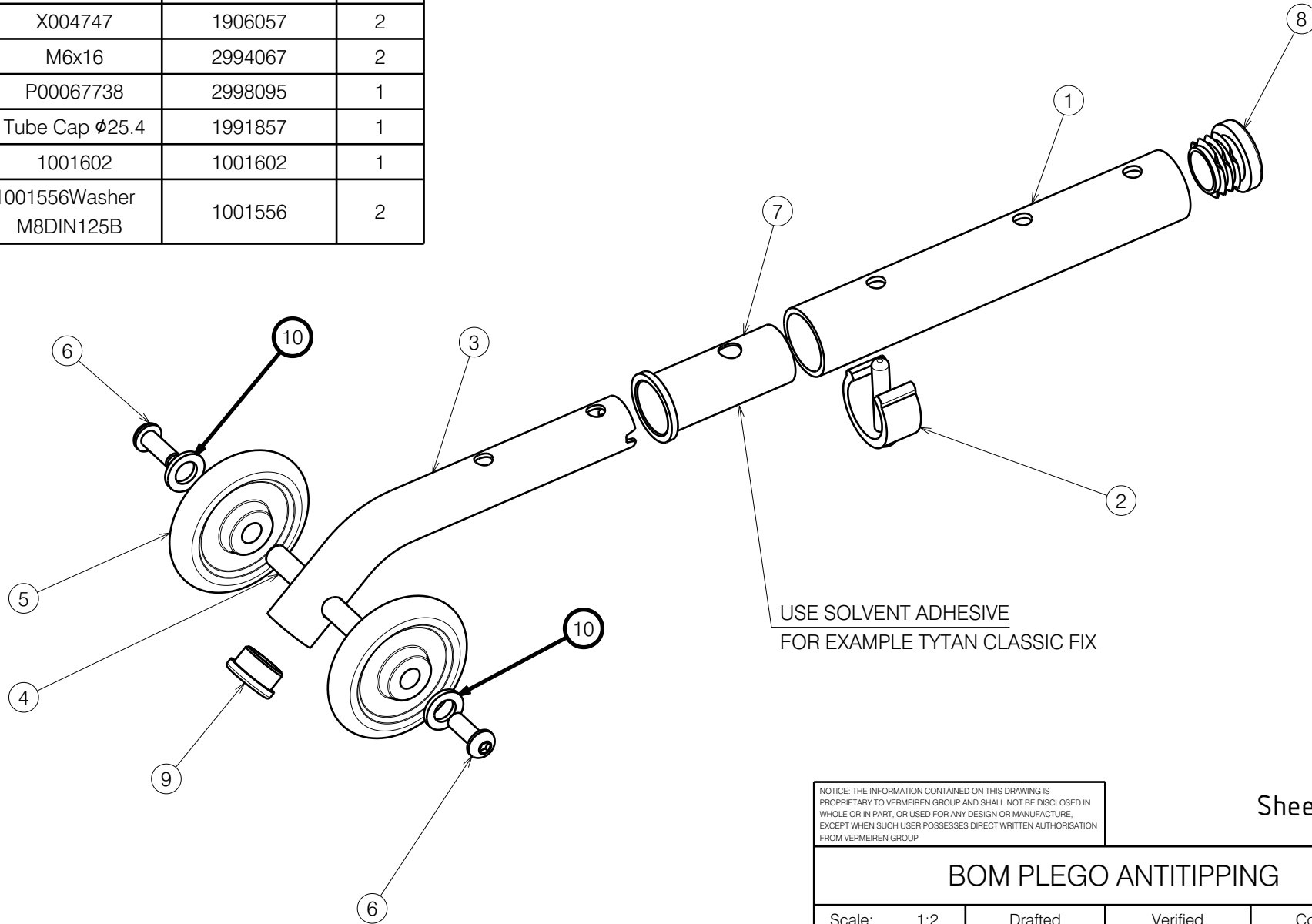


No.	Plan	Article	Qty
1	P00053021	2675365	1
2	XP00126	2990090	1
3	P00052902	2675465	1
4	XP02093	GP15800	1
5	X004747	1906057	2
6	M6x16	2994067	2
7	P00067738	2998095	1
8	Tube Cap Ø25.4	1991857	1
9	1001602	1001602	1
10	1001556 Washer M8DIN125B	1001556	2

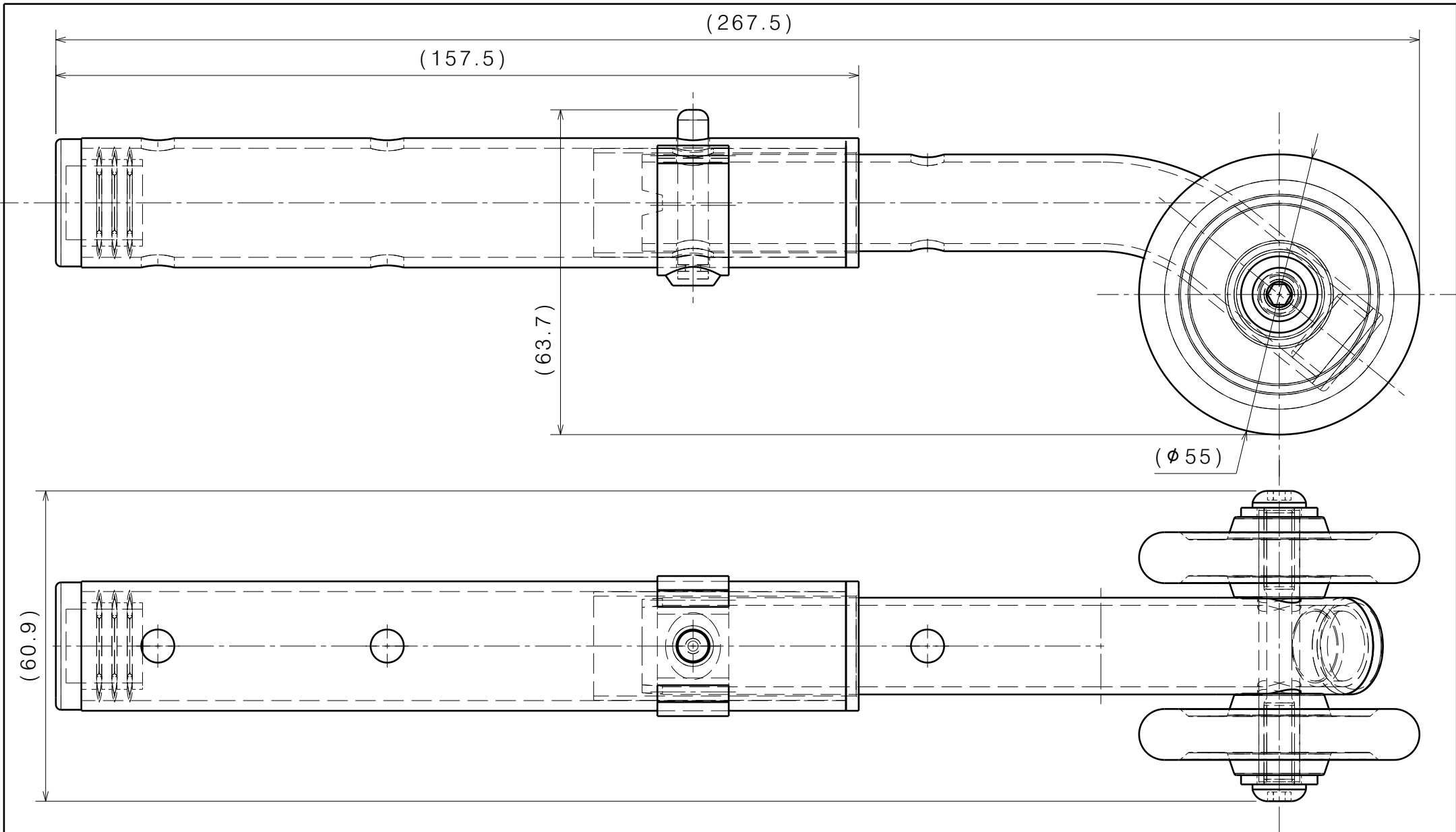


NOTICE: THE INFORMATION CONTAINED ON THIS DRAWING IS PROPRIETARY TO VERMEIREN GROUP AND SHALL NOT BE DISCLOSED IN WHOLE OR IN PART, OR USED FOR ANY DESIGN OR MANUFACTURE, EXCEPT WHEN SUCH USER POSSESSES DIRECT WRITTEN AUTHORISATION FROM VERMEIREN GROUP.

Sheet 1/2


BOM PLEGO ANTITIPPING			
Scale:	1:2	Drafted	Verified
Date	20/09/2023	02/02/2024	02/02/2024
Initials	DR	WM	WM

Plan No.
E000530201 /C.1



NOTICE: THE INFORMATION CONTAINED ON THIS DRAWING IS PROPRIETARY TO VERMEIREN GROUP AND SHALL NOT BE DISCLOSED IN WHOLE OR IN PART, OR USED FOR ANY DESIGN OR MANUFACTURE, EXCEPT WHEN SUCH USER POSSESSES DIRECT WRITTEN AUTHORISATION FROM VERMEIREN GROUP.

Sheet 2/2

Plan No.
E00053020/C.1


PLEGO ANTITIPPING			
Scale: 1:2	Drafted	Verified	Confirmed
Date	20/09/2023	11/10/2023	11/10/2023
Initials	DR	BK	WM