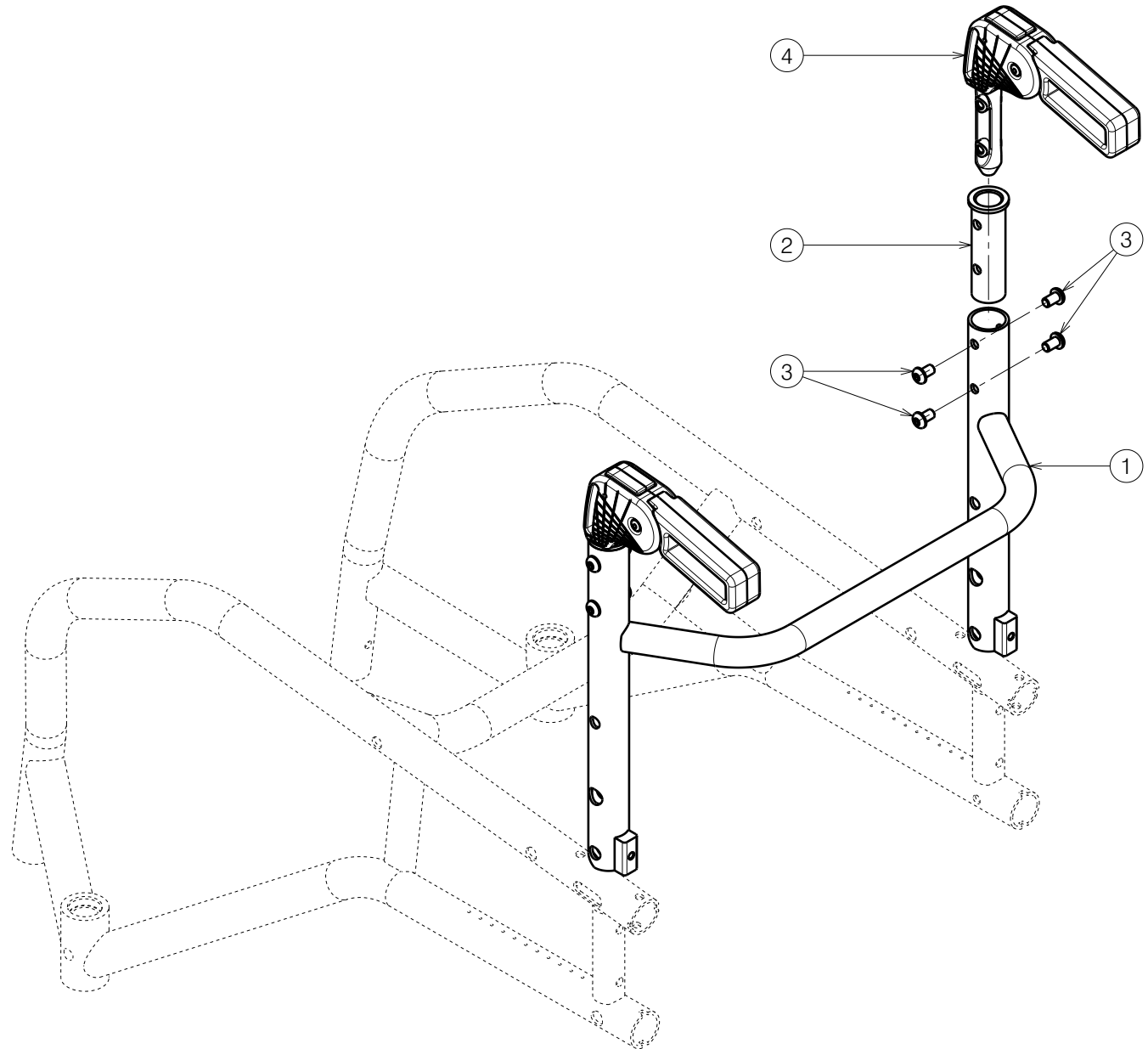


Material / Width 36			
No.	Plan	Article	Quantity
1	YP09511 (H25)	26613...	1
	YP09517 (H30)	26619...	1
	YP09523 (H35)	26625...	1
	YP09529 (H40)	26631...	1
Material / Width 38			
	YP09512 (H25)	26614...	1
	YP09518 (H30)	26620...	1
	YP09524 (H35)	26626...	1
	YP09530 (H40)	26632...	1
Material / Width 40			
	YP09513 (H25)	26615...	1
	YP09519 (H30)	26621...	1
	YP09525 (H35)	26627...	1
	YP09531 (H40)	26633...	1
Material / Width 42			
	YP09514 (H25)	26616...	1
	YP09520 (H30)	26622...	1
	YP09526 (H35)	26628...	1
	YP09532 (H40)	26634...	1
Material / Width 44			
	YP09515 (H25)	26617...	1
	YP09521 (H30)	26623...	1
	YP09527 (H35)	26629...	1
	YP09533 (H40)	26635...	1
Material / Width 46			
	YP09516 (H25)	26618...	1
	YP09522 (H30)	26624...	1
	YP09528 (H35)	26630...	1
	YP09534 (H40)	26636...	1
2	XP03434	2997534	2
3	M6x10 / ISO 7380 (Black)	2994127	8
4	EP00246	2993853	2



BACKREST WITH FOLDABLE PUSH
HANDLE / SAGITTA

Plan No.

EP00647 / A

Scale: 1:4	Drafted	Verified	Confirmed
Date	10/11/2022	14/11/2022	14/11/2022
Initials	AZ	WM	AS



EP00647 / A