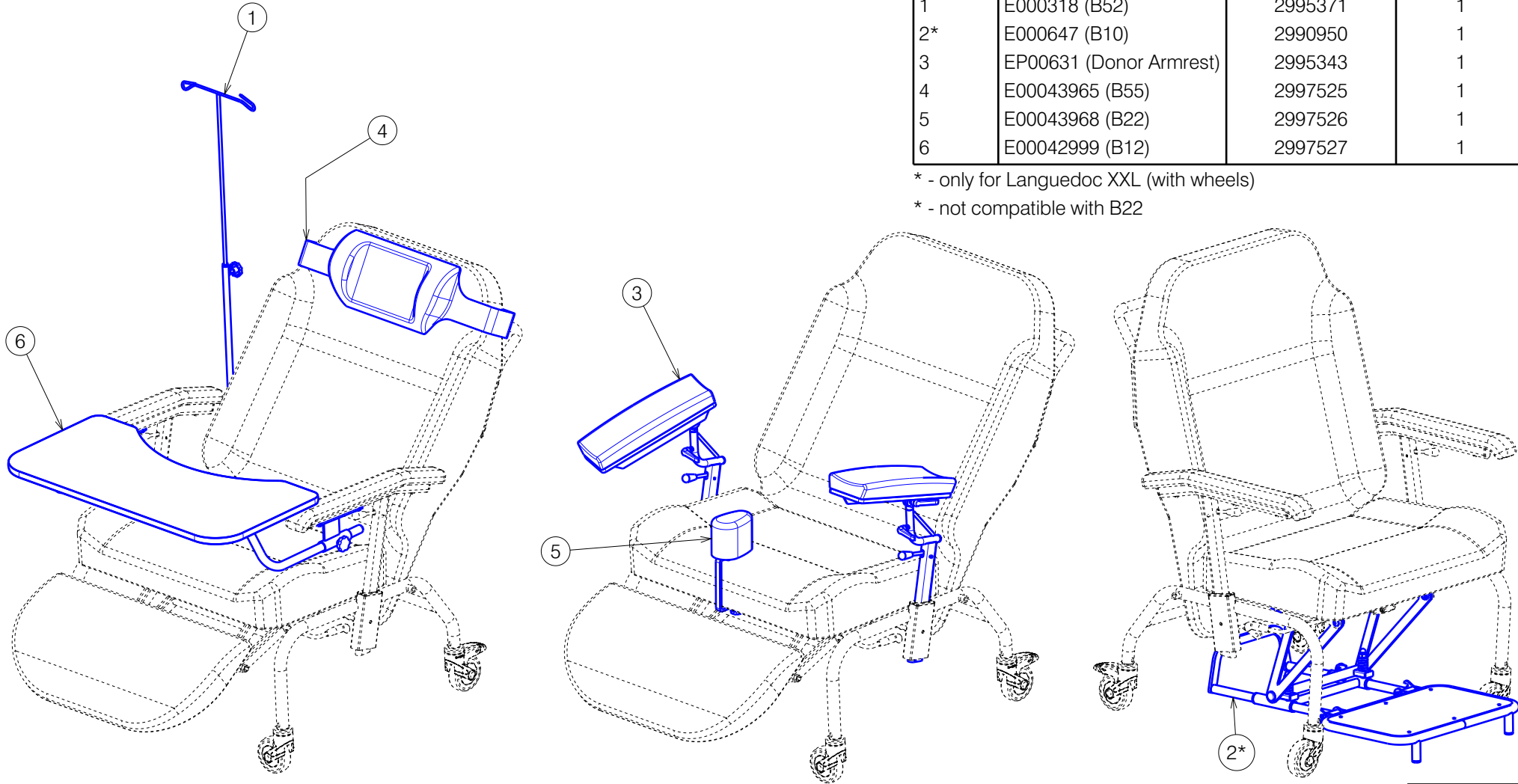


Bill of Material			
No.	Plan	Article	Quantity
1	E000318 (B52)	2995371	1
2*	E000647 (B10)	2990950	1
3	EP00631 (Donor Armrest)	2995343	1
4	E00043965 (B55)	2997525	1
5	E00043968 (B22)	2997526	1
6	E00042999 (B12)	2997527	1

\* - only for Languedoc XXL (with wheels)

\* - not compatible with B22



<b>NORMANDIE XXL - LANGUEDOC XXL / OPTIONS</b>				---
				Plan No. E00043967/A.1
Scale: 1:15	Drafted	Verified	Confirmed	
Date	2022-09-30	09/12/2022	09/12/2022	
Initials	AZ	PM	AZ	