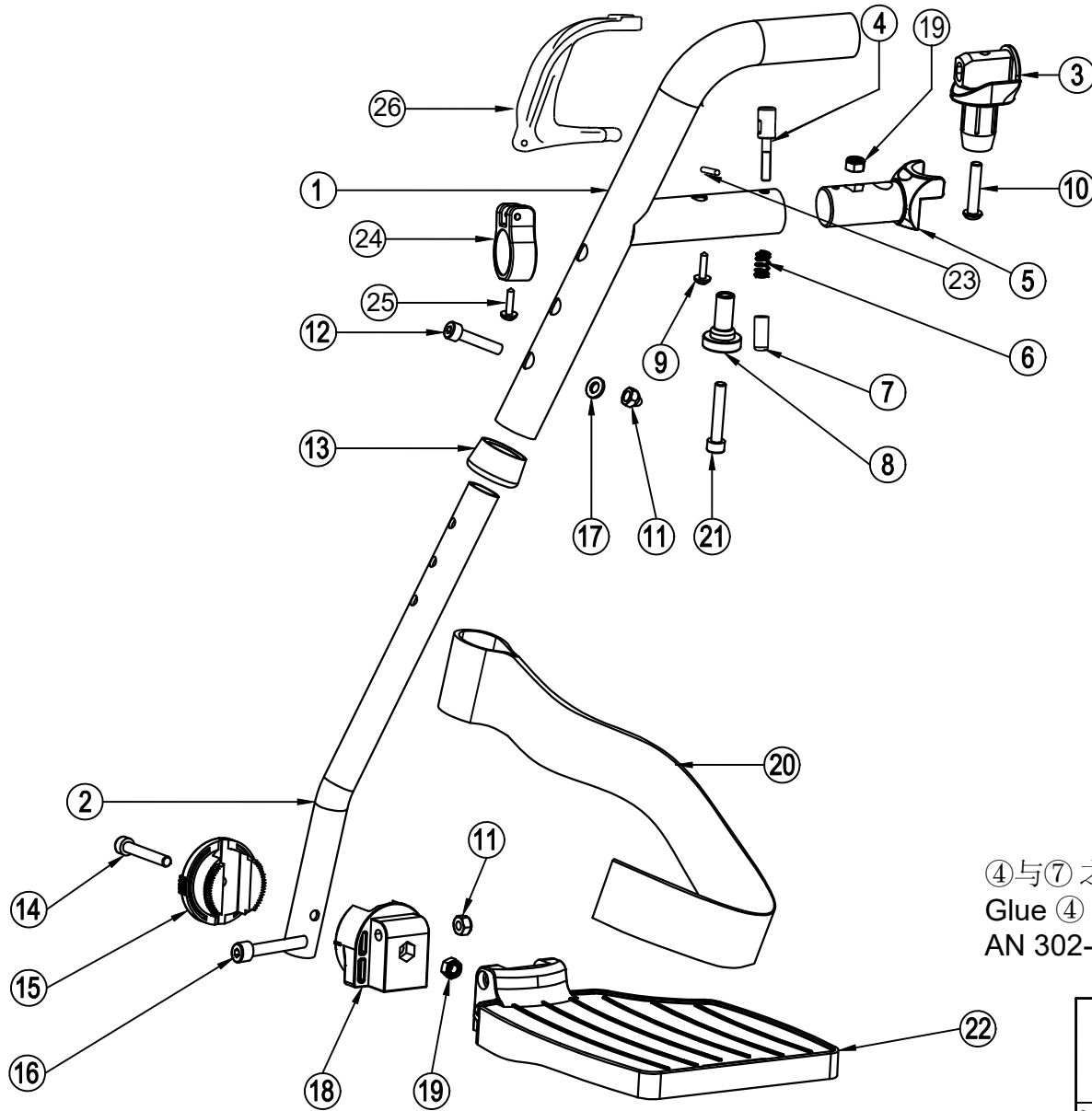


23	---	1905640	2	Material			
24	XC00300	3991091	2	NO.	Plan	Article	Number
25	---	1992805	2	1	YC01267	1C407	2
26	X004418	1904207	2	2	YC01291	FC00808	2



④与⑦之间加螺纹胶。
 Glue ④ into ⑦ with weicon
 AN 302-43(H900009)

3	X004414	1904130	2
4	XC00305	3991094	2
5	XC00381	3991544	2
6	XC00142	3990576	2
7	XC00304	3991093	2
8	X004660	1905195	2
9	---	H016007	2
10	---	1009588	2
11	---	1008492	4
12	---	1992721	2
13	X002137	1992415	2
14	---	1003909	2
15	X004464	1904212	2
16	---	1007970	2
17	---	1001564	2
18	X004465	1904213	2
19	---	1001680	4
20	---	1905642	2
21	---	1001496	2
22	XC00158 (38)	3991003(L)	1
	XC00157 (38)	3991002(R)	1
	X004570 (39-43)	1904646(L)	1
	X004571 (39-43)	1904647(R)	1
	X004453 (44-46)	1904210(L)	1
	X004457 (44-46)	1904475(R)	1
	X004572 (48-52)	1904648(L)	1
	X004573 (48-52)	1904649(R)	1

EC00219/D

FOOTREST FOR D200P				Plan No. / Plannr.
				EC00219/D
Scale / Schaal: 1 : 4	Drafted / Getekend	Verified / Nagezien	Confirmed / Bevestigd	
Date / Datum	20/02/2014	20/02/2014	20/02/2014	
Init. / Init.	Mars	JJQ	TG	