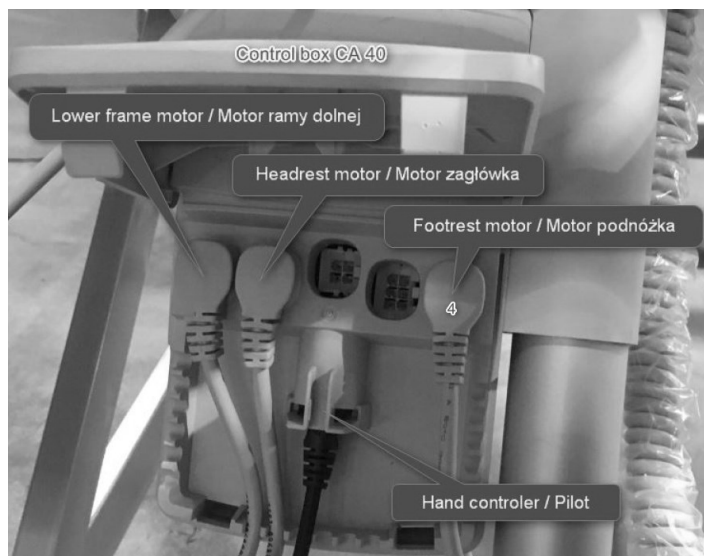
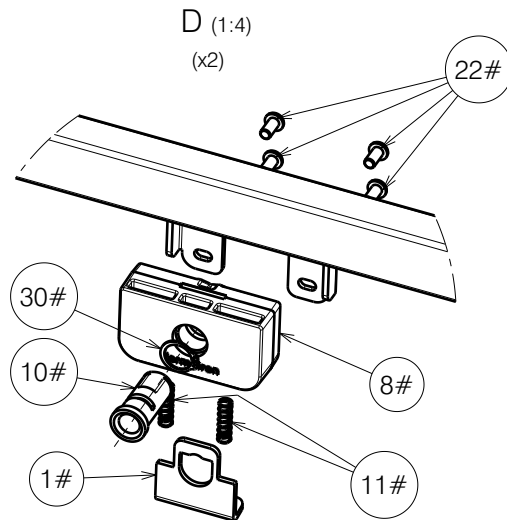
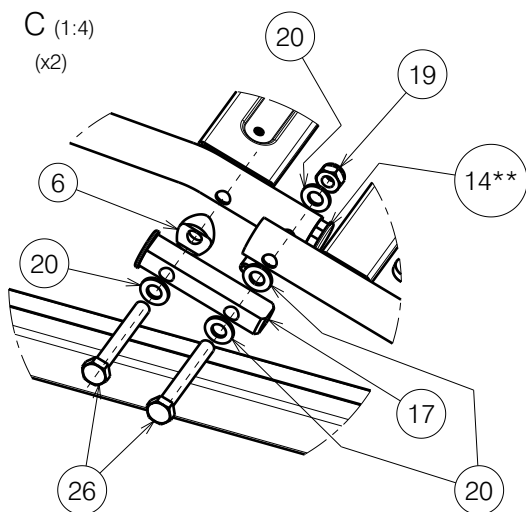
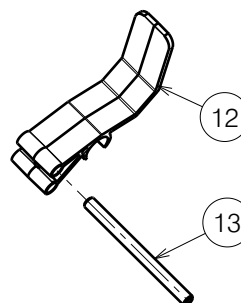


EP00367 / G

<p>FOOTSIDE WITH METAL LATHS MOTOR 2ND POSITION / ILLICO</p>				<p>Plan No. EP00367 / G</p>
Scale: 1:8	Drafted	Verified	Confirmed	<p>1/2</p> 
Date	10/01/2019	06/05/2024	06/05/2024	
Initials	DR	PM	AZ	



Mattress holder - way of assembly



- * - Not depicted.
- ** - Milled part, use only if 14 is unavailable.
- # - Use only with metal side rails (EP00256 & EP00257),
Do not use with wooden bars (EP00280) and SSR (EP00493).

Material			
No.	Plan	Article	Quantity
1#	YP08882	2629303	2
2	YP06217 / Right	2795303	1
3	YP05897 DP	27851	1
4	YP06174	27948	1
5	YP06175	27949	1
6	XP01997	2993909	2
7	X004563	1904874	2
8#	XP01795	2993539	2
9	D5,3 DIN 125	1000972	4
10#	XP02992	GP22400	2
11#	XP01899	GP12700	4
12	XP01906	2993600	2
13	XP01912	2993607	2
14	XP02064	2993688	2
14**	XP01916	2993701	2
15	Nut M5 DIN 986	1992804	2
16	XP01954	2993706	2
17	XP01975	GP13500	2
18	Nut M6 DIN 985	1001680	2
19	Nut M8 DIN 985	1001682	6
20	D8,4 DIN 125	1003199	18
21	M6x20	1006999	2
22#	M6x12	1007000	8
23	LA27	1903979	1
24	Pen D10x50	1998885	2
25	M5x40	2993786	2
26	M8x60 DIN 931	2993704	4
27	M8x40 DIN 931	2993705	2
28	Tube Cap 30x20	1997922	2
29	Tube Cap 20 x20	1001612	2
30#	DIN 471 15,7-1mm	2993606	2
31	YP06216 / Left	2784803	1
32	SterKnop M8x20	2993800	2
33	Nylon rivet	1990752	2
34	Cup Rubber 8mm	1001637	2
35	Wheel D29	2993761	2
36*	Motor Cable	1912902	1
37*	Label "4" for cable	1995838	1

EP00367 / G

FOOTSIDE WITH METAL LATHS MOTOR 2ND POSITION / ILLICO				Plan No.
				EP00367 / G
Scale: 1:8	Drafted	Verified	Confirmed	
Date	10/01/2019	06/05/2024	06/05/2024	
Initials	DR	PM	AZ	