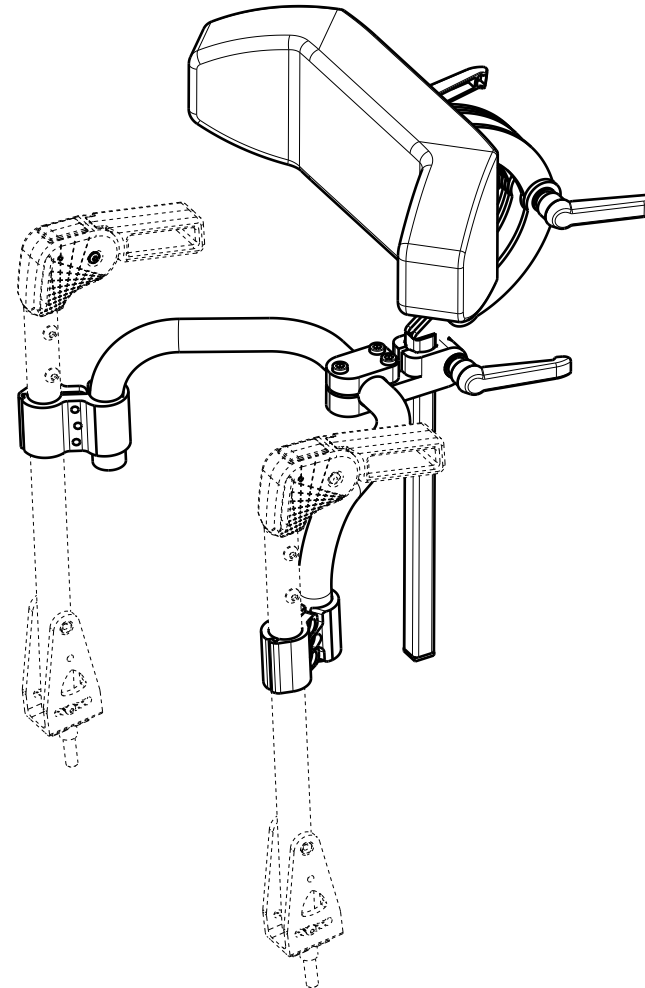


EP00587 / B

|                           |            |            |            |             |
|---------------------------|------------|------------|------------|-------------|
| HEADREST ADJUSTABLE TRIGO |            |            |            | Plan No.    |
|                           |            |            |            | EP00587 / B |
| Scale: 1:3                | Drafted    | Verified   | Confirmed  |             |
| Date                      | 10/06/2021 | 31/07/2024 | 31/07/2024 |             |
| Initials                  | AS         | PM         | AS         |             |

| Material |                 |         |          |
|----------|-----------------|---------|----------|
| No.      | Plan            | Article | Quantity |
| 1        | YP09051 (30-34) | 2633365 | 1        |
|          | YP09054 (36-40) | 2633465 | 1        |
|          | YP09058 (42-46) | 2633565 | 1        |
|          | YP09060 (48-50) | 2633665 | 1        |
| 2        | Y011987         | 1669854 | 1        |
| 3        | Y011148         | 1669754 | 6        |
| 4        | XP02044         | GP14899 | 2        |
| 5        | XP02045         | GP14999 | 2        |
| 6        | XP01417         | 2706799 | 1        |
| 7        | XP01418         | 2706899 | 1        |
| 8        | M6x20           | 1905873 | 2        |
| 9        | M8x30           | 1005860 | 1        |
| 10       | M8x12           | 1900712 | 3        |
| 11       | M6x25           | 1001494 | 3        |
| 12       | M6x16           | 2994065 | 6        |
| 13       | M8x30           | 1001524 | 2        |
| 14       | X001119         | 1001554 | 4        |
| 15       | CAPD22          | 1990648 | 2        |
| 16       | PLUG15X15       | 1005899 | 1        |
| 17       | Cordura         | 2996862 | 1        |
|          | Nylon           | 2996863 | 1        |
| 18       | M6x35           | 101526  | 1        |



EP00587 / B

|                           |            |            |            |             |
|---------------------------|------------|------------|------------|-------------|
| HEADREST ADJUSTABLE TRIGO |            |            |            | Plan No.    |
|                           |            |            |            | EP00587 / B |
| Scale: 1:3                | Drafted    | Verified   | Confirmed  |             |
| Date                      | 10/06/2021 | 31/07/2024 | 31/07/2024 |             |
| Initials                  | AS         | PM         | AS         |             |