

EP00631 / C

Right / Prawy

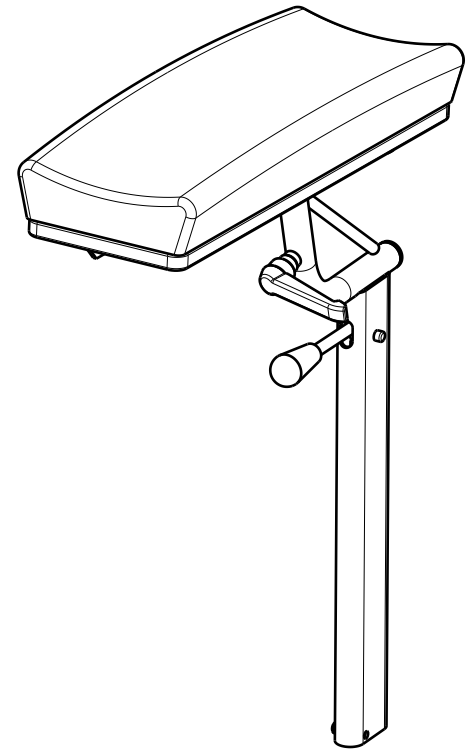
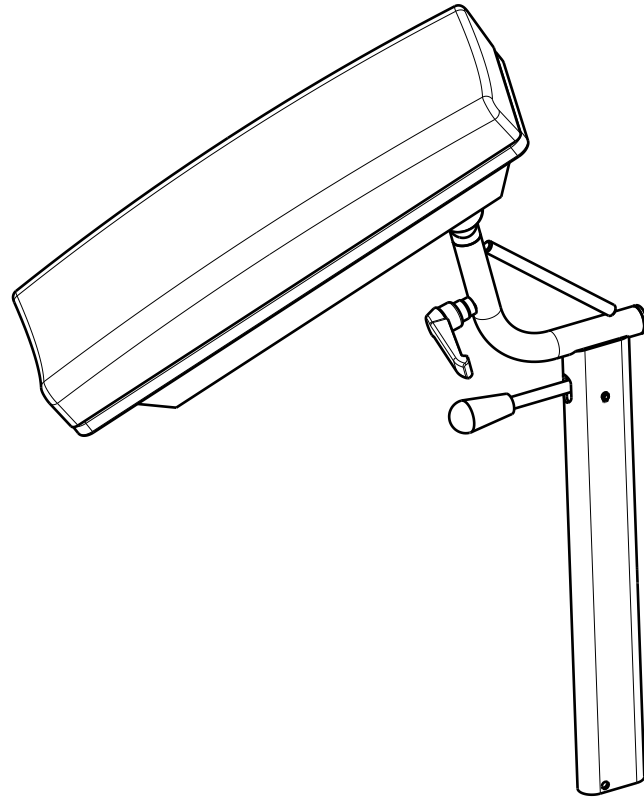
Left / Lewy

DONOR ARMREST / NORMANDIE 2020				Plan No.
				1/2 EP00631 / C
Scale: 1:6	Drafted	Verified	Confirmed	
Date	29/01/2022	24/10/2022	24/10/2022	
Initials	AZ	PM	AZ	

Material			
No.	Plan	Article	Quantity
1	Y011619	1643500	2
2	Y015605	1721865	1
3	Y015621	1721765	1
4	Y015658	1721501	2
5	X001471(Black)	1001143	2
6	X004559	1904586	2
7	XP00176	1824100	2
8	XP00180	1824500	2
9	XP00192	1826100	2
10	XP00297	2990125	2
11	XC00423	3991837	2
12	Cap D19	1001602	2
13	M4x12 DIN 7985H	1900952	2
14	M4 DIN 985	1001678	2
15	M6x16	1008459	4
16	Handle M8x15	1904866	4
17	Armrest Pad (Black)	2996695	2
	Armrest Pad (Brown)	2996696	2
	Armrest Pad (Blue)	2995344	2
	Armrest Pad (Lavender)	2995345	2
	Armrest Pad (Bright grey)	2995346	2

Donor Armrest Pad			
No.	Plan	Article	Quantity
17a*	Fabric*	*	0,16 [m]
17b	X004435 (Foam)	1904736	1
17c	X004548(Wood)	H7618	1
17d	M6x10 (Insert)	1992516	2


Fabric 17a*		
No.	Colour	Article
1	Blue	1998128
2	Lavender	1997840
3	Brown	1908048
4	Black	1907414
5	Bright grey	1918077



* - to be chosen by customer

** - SOP: S-PL.90.02 - packaging instruction

EP00631 / C

DONOR ARMREST / NORMANDIE 2020				Plan No.
				2/2 EP00631 / C
Scale: 1:6	Drafted	Verified	Confirmed	
Date	29/01/2022	24/10/2022	24/10/2022	
Initials	AZ	PM	AZ	