

# User manual

MANUEL D'UTILISATION  
GEBRUIKSAANWIJZING  
GEBRAUCHSANWEISUNG  
MANUALE DI ISTRUZIONI  
MANUAL DE INSTRUCCIONES  
INSTRUKCJA OBSŁUGI  
NÁVOD K OBSLUZE

## Jazz S50





## Contents

|   |           |
|---|-----------|
| <b>Contents</b> .....                                       | <b>1</b>  |
| <b>Preface</b> .....  | <b>2</b>  |
| <b>1 Your product</b> .....                                 | <b>3</b>  |
| 1.1 Accessories.....  | 3         |
| <b>2 Before use</b> .....                                   | <b>4</b>  |
| 2.1 Intended use.....                                       | 4         |
| 2.2 Explanation of symbols.....                             | 4         |
| 2.3 General safety instructions.....                        | 4         |
| 2.4 Transport.....  | 5         |
| 2.5 Folding/Unfolding the wheelchair.....                   | 7         |
| 2.6 Mounting/Taking off the rear wheels (if available)..... | 7         |
| 2.7 Storage.....  | 7         |
| <b>3 Using your wheelchair</b> .....                        | <b>8</b>  |
| 3.1 Mounting or removing of the footrests.....              | 8         |
| 3.2 Operating the brakes.....                               | 8         |
| 3.3 Mounting or removing the armrests.....                  | 8         |
| 3.4 Transfer in and out the wheelchair.....                 | 10        |
| 3.5 Riding the wheelchair.....                              | 10        |
| <b>4 Installation and adjustment</b> .....                  | <b>11</b> |
| 4.1 Tools.....  | 11        |
| 4.2 Manner of delivery.....                                 | 11        |
| 4.3 Adjusting the footrests.....                            | 11        |
| 4.4 Adjust the brakes.....                                  | 12        |
| 4.5 Pneumatic tyre changing.....                            | 12        |
| <b>5 Maintenance</b> .....                                  | <b>14</b> |
| 5.1 Points of maintenance.....                              | 14        |
| 5.2 Maintenance instructions.....                           | 14        |
| 5.3 Troubleshooting.....                                    | 15        |
| 5.4 Expected lifespan.....                                  | 15        |
| 5.5 Reuse.....  | 15        |
| 5.6 End of use.....   | 15        |
| <b>6 Technical specifications</b> .....                     | <b>16</b> |

## Preface

Congratulations! You are now owner of a Vermeiren wheelchair!

This wheelchair is made by qualified and committed personnel. It is designed and produced according to high quality standards, guarded by Vermeiren.

Please read this manual carefully; it will help you to get familiar with the operation, capabilities and limitations of your wheelchair. If you still have questions after reading this manual, do not hesitate to contact your specialist dealer. He/she will be glad to help you.

### Important note

To ensure your safety, and to prolong the lifetime of your product, please take good care of it and have it checked and serviced on a regular basis.

This manual reflects the latest product developments. Vermeiren has the right to implement changes to this type of product without any obligation to adapt or replace similar products previously delivered.

Pictures are used to clarify the instructions in this manual. Details of the depicted product may deviate from your product.

### Information available

On our website <http://www.vermeiren.com/> you will always find the most recent version of the information in this manual. Please consult this website regularly for possible updates.

Visually impaired people can download the electronic version of this manual and have it read out by means of a text-to-speech software application.



User manual

For user and specialist dealer



Installation instructions

For specialist dealer



Service manual for wheelchairs

For specialist dealer



EC declaration of conformity

## 1 Your product



1. Cross
2. Handgrips
3. Backrests
4. Arm pads
5. Armrests
6. Driving wheels (rear wheels)
7. Hand rims
8. Brakes
9. Tip cap
10. Steering wheels (front wheels)
11. Footrests
12. Footplates
13. Seat
14. Location identification plate

### 1.1 Accessories

The following accessories are available for the Jazz S50:

- Travel wheels (B86)
- Armrests (B05)

Contact your specialist dealer about other accessories. He will gladly advise you.

## 2 Before use

### 2.1 Intended use

In this paragraph a brief description of the intended use of your wheelchair is given. Additionally, relevant warnings are added to the instructions in the other paragraphs. In this way we would like to make you aware of the possible misuse that may appear.

- Indications and contraindications: The user can propel the wheelchair by himself or have the wheelchair pushed by an attendant. The wheelchair is intended for people with walking difficulties or no walking abilities. The different types of fittings and accessories, and the modular construction allow full use by aged persons and persons disabled by paralysis, loss of limbs (leg amputation), limb defects or deformations, stiff or damaged joints, heart insufficiencies and poor blood circulation, balance disturbances, cachexia (decrease in muscle).
- The wheelchair is suited for indoor and outdoor use.
- The wheelchair is designed to transport one (1) person with a maximum weight of 130 kg. It is not designed for transportation of goods or objects, nor for any use other than previously described.
- Only use accessories and spare parts approved by Vermeiren.
- Please read all technical details and limits of your wheelchair in chapter 6.
- The warranty of this product is based on normal use and maintenance as described in this manual. Damage to your product caused by improper use or lack of maintenance will cause the warranty to lapse.

### 2.2 Explanation of symbols



Maximum weight of the user in kg



Indoor/outdoor use



Maximum safe slope in ° (degrees).



Type designation

### 2.3 General safety instructions

- Do not use your wheelchair if you are under influence of alcohol, medicines or other substances that may influence your riding abilities.
- Be aware that some parts of your wheelchair may get very hot or cold due to ambient temperature, solar radiation or heating devices. Be careful when touching. Wear protective clothing if the weather is cold. When going outdoors, riding gloves can be used to improve the grip on the hand rims.
- Do not modify your wheelchair in any way.
- To prevent injury and/or damage to your wheelchair, make sure that no objects and/or body parts are caught in the spokes of the driving wheels.

Be aware that your wheelchair may interfere with some types of anti-theft systems, depending on the settings used. This may cause the shop's alarm to go off.

In case a serious incident has occurred involving your product, notify Vermeiren or your specialist dealer as well as the competent authority in your country.

## 2.4 Transport

### 2.4.1 Moving out of the way

The best way to move the wheelchair is to make use of the wheels and roll the wheelchair.

If this is not possible (e.g. when the rear wheels are taken off for transportation in a car), firmly grasp the frame on the front and the handgrips. Do not use the foot- or armrests or the wheels to grasp the wheelchair.

### 2.4.2 Transport by vehicle, as luggage

 **WARNING** Risk of injury

- Make sure that the wheelchair is properly secured to avoid injury to the passengers during collision or sudden braking.
  - NEVER use the same seatbelt to attach the wheelchair and passenger.
1. Fold the wheelchair to its most compact size according to the instructions in § 2.5.
  2. Store the wheelchair and its wheels in the luggage compartment or behind the passenger seat. If luggage and passenger compartments are NOT separated or enclosed, fasten the wheelchair frame securely to the vehicle.

### 2.4.3 Transport by vehicle, as seat for user

 **WARNING** Risk of injuries or damage

- The wheelchair has passed the crash of ISO 7176-19: 2008 and, as such, has been designed and tested for use only as forward-facing seat in a motor vehicle.
- The wheelchair's pelvic belt alone is not suited as an occupant restraint belt.

The wheelchair is tested using the four-point strap-tie system and a 3-point occupant-restraint system. Whenever feasible, use the seat of the vehicle and store the wheelchair in the cargo area.

#### Steps to secure the wheelchair in a motor vehicle:

1. Check that the vehicle is equipped with a suitable wheelchair tie down and occupant-restraint system, conform ISO 10542.
2. Check that the components of the wheelchair tie down and occupant restraint system are not frayed, contaminated, damaged or broken.
3. If equipped with an adjustable seat and/or back tilt, make sure that the wheelchair user is sitting as upright as possible. If the user's condition prevents this, a risk assessment should be done to evaluate the user's safety during transit.
4. Remove all mounted accessories such as trays and respiratory equipment, and secure them in a safe place.
5. Position the wheelchair facing forward in the travelling direction, centrally between the tie-down rails mounted in the floor of the vehicle.
6. Mount the front securement straps according to the instructions of the strap-system manufacturer at the indicated place (figure 1). This place is marked on the wheelchair with a symbol (figure 2).
7. Roll back the wheelchair until the front straps are tight.
8. Apply the wheelchair brake.
9. Mount the back securement straps according to the instructions of the strap-system manufacturer at the indicated place (figure 1). This place is marked on the wheelchair with a symbol (figure 2).

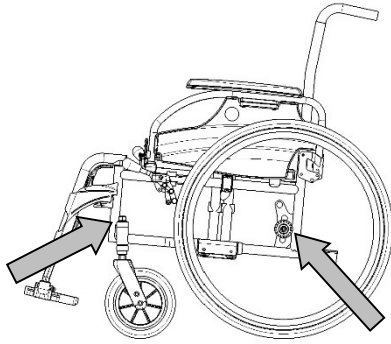


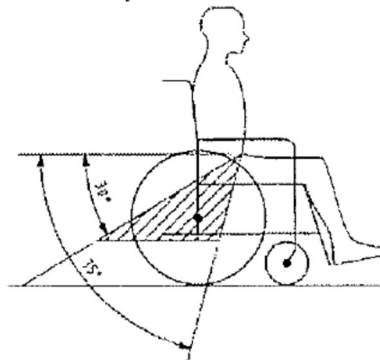
Figure 1



Figure 2

**Steps to secure the wheelchair user:**

1. Remove both arm rests.
2. If present, attach the wheelchair's pelvic belt.
3. Attach the occupant restraint belts according to the instructions of the strap-system manufacturer.
4. Wear the pelvic belt low across the front of the pelvis, so that the angle of the pelvic belt is within the preferred zone of 30° to 75° to the horizontal, similar to that shown below.



5. A steeper (greater) angle within the preferred zone is desirable.
6. Adjust the belt tightly according to the instructions of the strap-system manufacturer, consistent with the user's comfort.
7. Ensure that the restraint belt connects in a straight line to the anchor point in the vehicle and that no bends in the belt are visible, for instance at the axle of the rear wheel.
8. Install the arm rests, if desired. make sure that belts are not twisted or held away from the body by wheelchair components such as arm rests or wheels.

RESTRAINTS SHOULD NOT BE HELD AWAY FROM BODY BY WHEELCHAIR COMPONENTS SUCH AS ARMRESTS OR WHEELS



PELVIC RESTRAINTS SHOULD MAKE FULL CONTACT ACROSS THE FRONT OF THE BODY NEAR THE JUNCTION OF THE THIGH AND PELVIS





## 2.5 Folding/Unfolding the wheelchair



Chance of pinching – Do not place fingers between the components of the wheelchair.

*To fold:*

1. Fold or remove the footplates (see § 3.1).
2. Take the seat on the front side and backside and pull it up.
3. Push the handgrips to fold up the wheelchair further.

*To unfold:*

1. Position yourself behind the wheelchair.
2. Use the handgrips to open the wheelchair as much as possible.
3. Position yourself at the front of the wheelchair.
4. Push both seating tubes down until they are fixed in position.

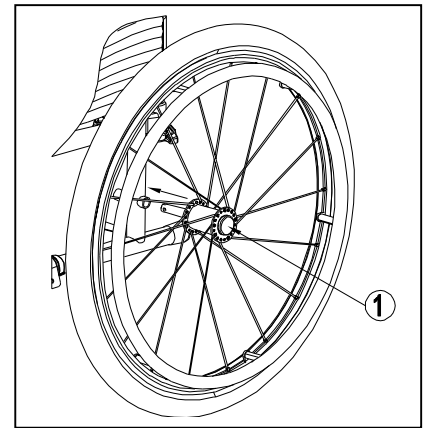
## 2.6 Mounting/Taking off the rear wheels (if available)

*To remove the rear wheels*

1. Press and hold button (1) while sliding the wheel axle out of the hole of the frame.
2. Repeat this for the other wheel and place the wheelchair gently on the rear frame tubes.

*To install the rear wheels*

1. Take one of the rear wheels and lift the wheelchair on one side.
2. Press and hold button (1) while sliding the wheel into the axle bushy.
3. Release the button to lock the wheel. Make sure it clicks into place.
4. Repeat this for the other wheel.
5. Ensure that both wheels are firmly secured.



## 2.7 Storage

- i** Make sure that your wheelchair is stored in a dry environment to prevent mould from growing and the upholstery from being damaged, see also chapter 6.

## 3 Using your wheelchair



CAUTION

Risk of injuries and/or damage

- First read previous chapters and inform yourself about the intended use. Do NOT use your wheelchair unless you have read and fully understood all instructions.
- In case of doubts or questions, do not hesitate to contact your local specialist dealer, your care provider or technical adviser to help you with this.
- Make sure that your hands, clothes, belts, buckles or jewellery don't get caught by wheels or other moving parts, during use or adjustment.

### 3.1 Mounting or removing of the footrests



CAUTION

Risk of injury

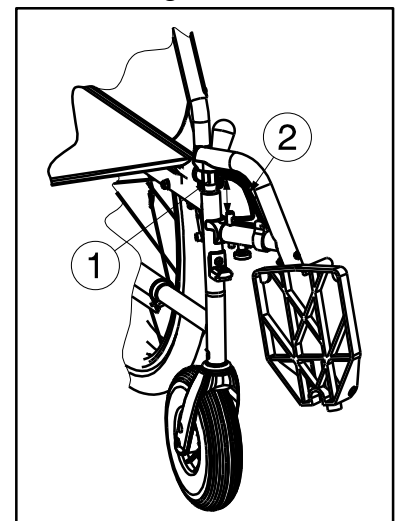
- Check that the footrests are securely locked in place before use.
- Keep objects away from the footrests swing range while mounting or removing the footrests.

The mounting of the footrests is done as follows:

1. Hold the footrest sideways at the outside of the wheelchair frame and mount the tube hood (1) into the frame.
2. Swing the footrest inwards until it clicks in position.
3. Swing the footplate downwards.

To take off the footrests:

1. Pull lever (2).
2. Swing the footrest to the outside of the wheelchair until it comes loose from the guidance.
3. Pull the footrest from tube hood (1).



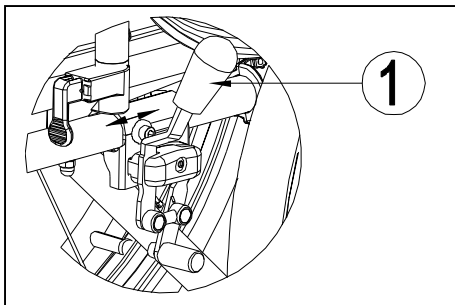
### 3.2 Operating the brakes



WARNING

Risk of injury

- The brakes are not used to slow down the wheelchair during movements. Use the brake only to prevent the wheelchair from unintended movements.
- Good operation of the brakes is influenced by wear and contamination of the tires (water, oil, mud, ...). Check the condition of the tires before each use.
- The brakes are adjustable and can wear. Check the operation of the brakes before each use.
- Make sure the wheelchair is on a flat horizontal surface before releasing the brakes. Never release both brakes simultaneously.



*To apply the brakes:*

1. Push the brake lever (1) forward until you feel a distinctive click.

*To release the brakes:*

1. Release one brake by pulling the lever (1) backwards.
2. Hold the hand rim of the released wheel with your hand.
3. Release the second brake by pulling the lever backwards.

### 3.3 Mounting or removing the armrests

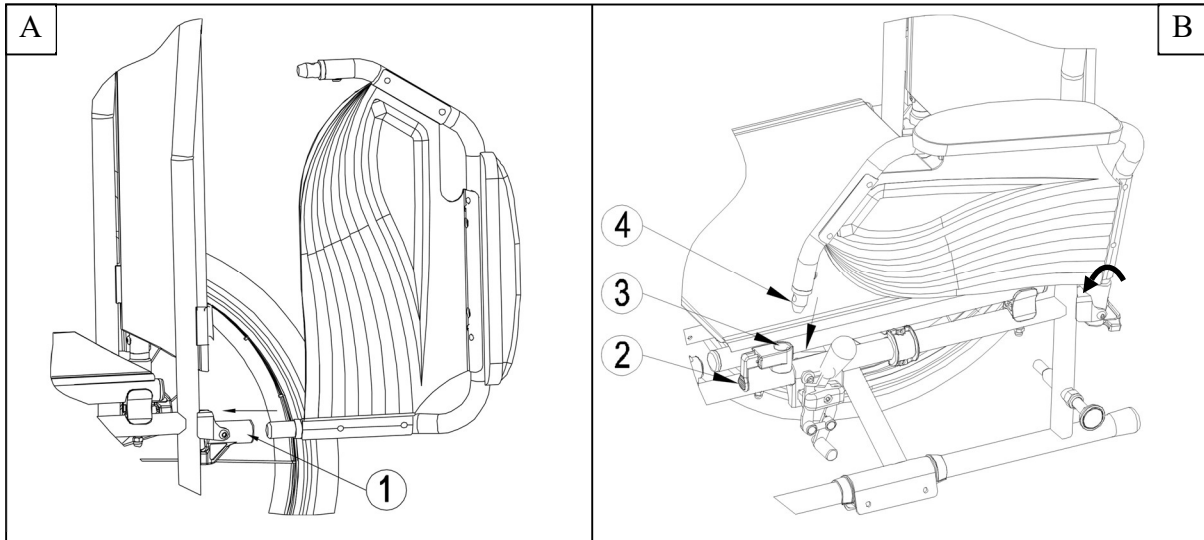


WARNING

Risk of injury

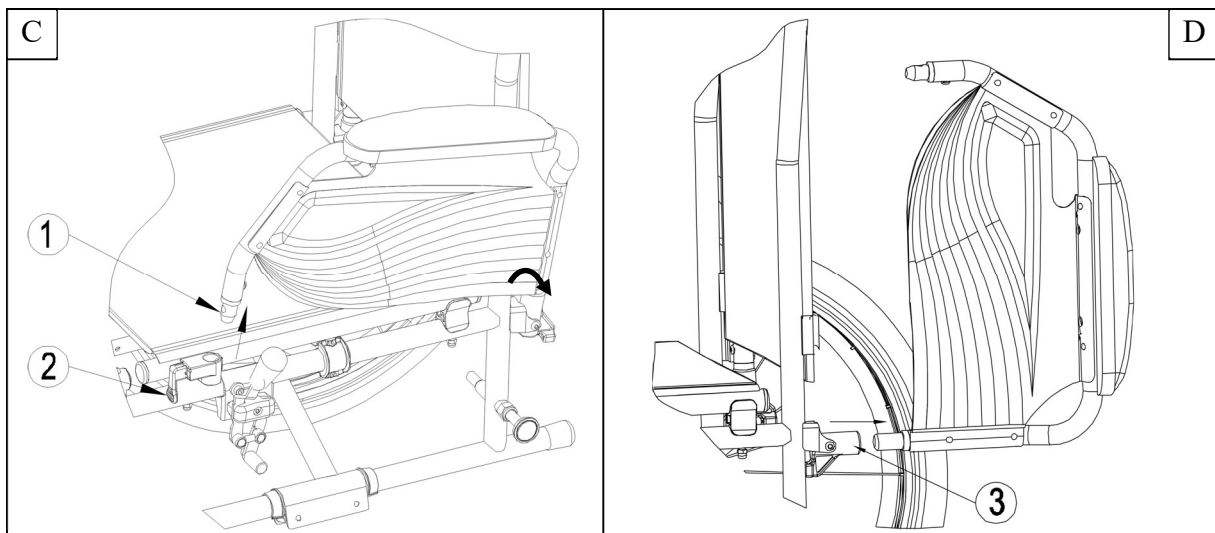
- Check that the armrests are securely locked in place before use.
- Keep fingers and clothes away from the bottom side of the armrest.

1. Mount the rear tube of the armrest in tube hood (1) (*Fig A*).
2. Make sure the armrest is mounted very well.
3. Fold the armrest forward.
4. Pull the lever (2) on tube hood (3) upwards (*Fig B*).
5. Click the front tube of the armrest (4) in tube hood (3) (*Fig B*).



To open and remove the armrest:

1. Pull lever (2) and pull the front of the armrest (1) upwards (*Fig C*).
2. Fold the armrest backwards.
3. To remove the armrest, pull the rear of the armrest from tube hood (3) (*Fig D*).



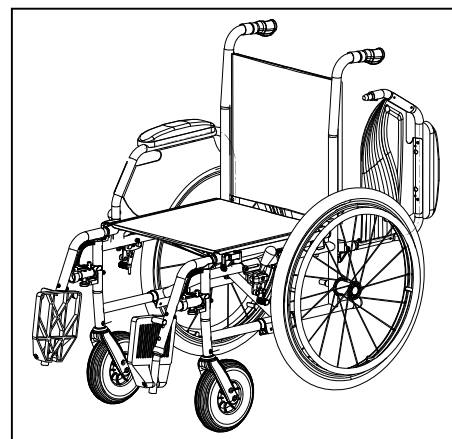
### 3.4 Transfer in and out the wheelchair



WARNING

Risk of injury and/or damage

- In case you cannot perform the transfer in a safe manner, ask someone to assist you.
  - Do not stand on the footplates.
1. Position the wheelchair as close as possible to the chair, couch or bed to/from you wish to transfer.
  2. Check both brakes from the wheelchair are in the on position.
  3. Fold the footplates upwards to prevent standing on them.
  4. If the transfer is on the side of the wheelchair, fold the armrest on that side upwards (see § 3.3).
  5. Transfer to/from the wheelchair.



#### 3.4.1 Correct position in the wheelchair

Some recommendations for a comfortable use of the wheelchair:

- Position your backside as close as possible to the backrest.
- Make sure your upper legs are horizontal. If needed, adjust the length of the footrests (see § 4.3).

### 3.5 Riding the wheelchair



CAUTION

Risk of injuries and damage

- Before every usage, make sure that:
  - parking brakes are working properly.
  - tires are in good condition, see §5.
- Prevent your fingers from being caught by the wheel spokes.
- Do not operate the hand rims with wet hands.
- Prevent entrapment of your hands on the hand rims when you pass small passages.
- Do NOT drive on slopes, obstacles, steps or kerbs larger than specified in §6.
- When you stop on a (small) slope, use your brakes.
- Make sure all four wheels touch the ground while riding up or down a slope.
- Take slopes as slow as possible.
- Always stay on the pavement when riding on public roads.
- Pay attention if the road has holes or gaps that may cause entrapment of the wheels.
- Avoid stones and other objects that may block the wheels.
- Make sure that the footplates do not touch ground while taking an obstacle.
- Do not use your wheelchair on an escalator.
- If available, wear your safety belt.
- Always keep the swing range of the footplate in mind to prevent bystanders from being injured or objects from being damaged.
- If you don't have enough experience riding your wheelchair, ask assistance of an attendant. Keep your arms away from the wheels and keep your feet on the footplate.
- Stairs should always be negotiated with the help of two attendants.
- Never try to use stairs that are not appropriate for wheelchairs.

#### 3.5.1 Riding your wheelchair:

1. Release the brakes.
2. Take both hand rims at their highest position.
3. Lean forward and push the hand rims forward until your arms are straight.
4. Move your hands back to the top of the hand rims and repeat the movement.

## 4 Installation and adjustment

The instructions in this chapter are for the specialist dealer.

The Vermeiren Jazz S50 has been designed as wheelchair with a minimum of adjustments. There is no need for extra stock of spare parts.

To find a service facility or specialist dealer near you, contact the nearest Vermeiren facility.

 **WARNING** Risk of injuries and damage

- Use only the settings described in this manual.
- Variation of allowed adjustments can still change the stability of your wheelchair (tilt back or sideways).

### 4.1 Tools

To set up the wheelchair the following tools are needed.


- Wrench set n° 7 to n° 22
- Allen key set n° 3 to n° 8
- Screwdriver Phillips head

### 4.2 Manner of delivery

The Vermeiren Jazz S50 shall be delivered with:

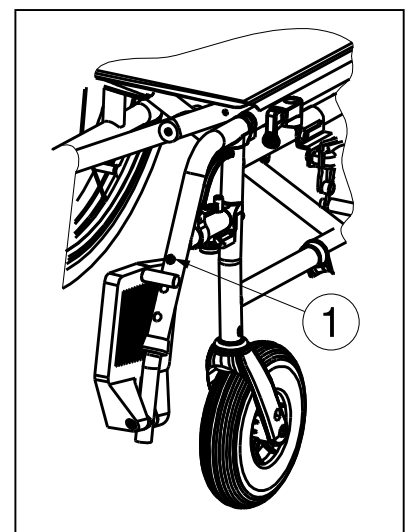
- 1 frame with armrests, rear and front wheels (seat height of 500 mm)
- 1 pair footrests
- Tools
- Manual
- Accessories (optional)
- Tyre pump

### 4.3 Adjusting the footrests

 **CAUTION** Risk of damage – Avoid that the footrests make any contact with the ground. Keep a minimum distance from 60 mm above the ground.

Adjust the length of the footrests as follow:

1. Remove the screw (1).
2. Adjust the length of the footrest to a comfortable length.
3. Tighten the screw (1) properly.



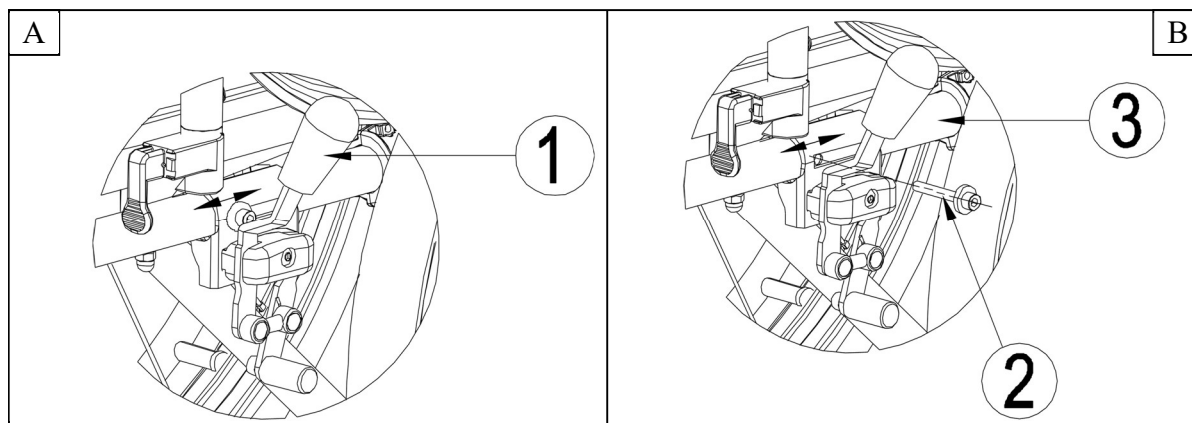
## 4.4 Adjust the brakes



**WARNING**

Risk of injury – Brakes may only be adjusted by your specialist dealer.

1. Install the wheels according to § 2.6.
2. Disconnect the brakes by pulling lever (1) backwards (*Fig A*).
3. Loosen bolt (2) so the brake mechanism can slide over the frame (3) (*Fig B*).
4. Pull the brake mechanism over the frame (3) to the desired position (*Fig B*). The adjustment of the brakes shall be in the range of the marked dashes (4) on the brake mechanism.
5. Retighten the bolt (2) (*Fig B*).
6. Check working of the brakes.
7. If necessary repeat the above steps until the brakes are adjusted well.



## 4.5 Pneumatic tyre changing



**CAUTION**

Risk of injury and/or damage

- If handled improperly, the rim might be damaged. Rather let an expert perform these activities.
- When mounting a tyre, make sure no objects or body parts are pinched between the tyre and the rim.
- When inflating the tyres, always check that the pressure is correct. The correct pressure is given on the tyre walls.
- Use only inflating equipment which complies with regulations and indicates the pressure in bar, or use the supplied air pump. We do not accept any liability for damage caused by inflating equipment not supplied by the manufacturer.



- Always make sure that the wheels are sufficiently inflated, since it could affect the driving behaviour.
- We do not accept any liability for wheels not supplied by the manufacturer.
- Only an expert can guarantee correct assembly. Work not done by your specialist dealer, would void the warranty of claims.

If you want to change the tyres or inner tubes, you should note the following:

1. Let all the air out of the inner tube.
2. Insert a tyre lever between the tyre and the rim.
3. Slowly and gently push the tyre lever downwards. This will pull the tyre over the edge of the rim.
4. Then move the lever along the rim, the tyre will jump out.
5. Now carefully remove the tyre from the rim and then remove the tube.

Before replacing the tyre, check the rim bed and the inside wall of the tyre for foreign matter and clean these properly if necessary. Check the condition of the rim bed, especially around the position of the air valve.

Please use only genuine original replacement parts. We do not accept any liability for damage caused by non-genuine parts. Kindly contact your specialist dealer.



Place the rim belt in position over the air valve before inserting it into the rim. Then the rim belt can be pulled over easily. Check that all spoke heads are covered (a rim belt is not required in the case of a plastic rim).



Push the tyre over the edge of the rim, starting behind the air valve. Inflate the tube slightly until it is round, and place it inside the tyre.



If the tube fits snugly inside the tyre without any folds (in the case of folds: let out some air), then the upper side of the tyre can be pressed lightly onto the rim with both hands, starting at the air valve.

Check all around on both sides that the tube is not pinched between the rim and the edge of the tyre. Lightly push the air valve inwards and pull it out again to make sure that the tyre is positioned properly in the region of the air valve.

To ensure that the wheel inflated correctly, admit only so much air initially that the tyre can still be easily pushed inwards by using your thumbs. If the check-lines are equidistant from the edge of the rim on both sides of the tyre, then the tyre is centred properly. If not - let out the air and position the tyre afresh.

Now the tyre can be inflated to its full operating pressure (note the maximum!!) and the valve cap should be replaced.

## 5 Maintenance

### 5.1 Points of maintenance



CAUTION

Risk of injuries and damage

Repairs and replacements may only be undertaken by trained persons and only genuine replacement parts of Vermeiren should be used.

**i** The service frequency depends on the frequency and intensity of use. Contact your dealer to agree to a common timetable for inspection/maintenance/repair.

#### *Before each use*

Inspect the following points:

- All parts: Present and undamaged or unworn.
- All parts: Clean, see § 5.2.2.
- Wheels, backrest, seat, calf rests, arm rests, footplate: Well secured.
- Condition of wheels/tyres, see § 5.2.1;
- Condition of frame parts: No deformation, instability, weakness or loose connections
- Seat, backrest, arm pads, calf pads and head rest (if applied): No excessive wear (like dented spots, damage or tears).
- Brakes: Undamaged and functioning

Contact your specialist dealer for possible repairs or part replacements.

#### *Yearly or more often*

Have your wheelchair inspected and serviced by your specialist dealer, at least once a year, or more often. The minimum maintenance frequency depends on use and should therefore be commonly agreed on with your specialist dealer.

### 5.2 Maintenance instructions

#### 5.2.1 Wheels and tyres

**i** Proper working of the brakes depends on the state of the tyres, and can change due to wear and contamination (water, oil, mud, ...).

Keep your wheels free of wires, hair, sand and fibres.

Check the profile of the tyres. If the tread depth is less than 1 mm, the tyres need to be replaced. Contact your specialist dealer for this matter.

Inflate each pneumatic tyre to the correct pressure (see pressure indication on the tyres).

#### 5.2.2 Cleaning

CAUTION

Risk of damage by moisture

- Never use a hose or high-pressure cleaner to clean the wheelchair.

Wipe all rigid parts of the wheelchair with a damp cloth (not drenched). If necessary, use a mild soap, suitable for varnishes and synthetics.

The upholstery can be cleaned with lukewarm water and a mild soap. Do not use abrasive cleaning agents to clean.



### 5.2.3 Disinfection

CAUTION

Risk of damage

- Disinfections may only be undertaken by trained persons. Consult your specialist dealer.

## 5.3 Troubleshooting

Even if you use your wheelchair properly, a technical problem may occur. If this is the case, contact your local specialist dealer.



WARNING

Risk of injuries and damage to the wheelchair

- NEVER attempt to repair the wheelchair yourself.

The following symptoms may indicate a serious problem. Therefore always contact your specialist dealer if you spot any of the following deviations:

- Strange sound;
- Uneven tread wear on one of the tyres;
- Jerky movements;
- Wheelchair deflects to one side;
- Damaged or broken wheel assemblies.

## 5.4 Expected lifespan

The average lifespan of your wheelchair is 5 years. Depending on the frequency of use, driving circumstances and maintenance, the lifespan of your wheelchair will increase or decrease.

## 5.5 Reuse

Before each reuse, have the wheelchair disinfected, inspected and serviced according to the instructions in §5.1 and §5.2.

## 5.6 End of use

At end of life, you need to dispose your wheelchair according to the local environmental legislation. The best way to do so, is to disassemble the wheelchair to facilitate the transport of recyclable parts.

## 6 Technical specifications

The technical details below are only valid for this wheelchair, at standard settings and optimal ambient conditions. Take these details into account during use. The values are no longer applicable if your wheelchair has been modified, damaged or suffers from severe wear.

Table 1: Technical specifications

|              |                          |
|--------------|--------------------------|
| <b>Make</b>  | <b>Vermeiren</b>         |
| <b>Type</b>  | <b>Manual wheelchair</b> |
| <b>Model</b> | <b>Jazz S50</b>          |

| <b>Description</b>                                | <b>Specifications</b>   |
|---|---|
| Maximum occupant mass                             | 130 kg  |
| Overall length with footrest                      | 1120 mm   |
| Effective seat width                              | 390 mm<br>420 mm<br>440 mm<br>460 mm<br>480 mm<br>500 mm                            |
| Overall width (depends on the seat width)         | 565 mm<br>595 mm<br>615 mm<br>635 mm<br>655 mm<br>675 mm                            |
| Folded length without footrest                    | 825 mm  |
| Folded width                                      | 290 mm  |
| Folded height                                     | 935 mm  |
| Total mass  | 16,60 kg  |
| Mass of heaviest part                             | 8,05 kg   |
| Masses of parts that can be dismantled or removed | <b>Footrests:</b> 1,80 kg; <b>Armrests:</b> 1,80 kg;<br><b>Rear wheels:</b> 4,95 kg |
| Static stability downhill                         | 15°   |
| Static stability uphill                           | 10°   |
| Static stability sideways                         | 15°   |
| Effective seat depth                              | 450 mm  |
| Seat surface height at front edge                 | 500 mm  |
| Seat angle  | 5°  |
| Backrest height                                   | 420 mm  |
| Backrest angle                                    | 0°  |
| Distance between footrest and seat                | 370 – 440 mm  |
| Angle between seat and footrest                   | 7°  |
| Distance between armrest and seat                 | 220 mm  |
| Front location of armrest structure               | 310 mm  |
| Hand rim diameter                                 | 535 mm  |
| Horizontal location of axle (deflection)          | 10 mm   |
| Minimum turning diameter                          | 1190 mm   |
| Diameter Rear wheels                              | 24" (optional 12")  |



|  |                  |
|--|------------------|
| Tyre pressure, rear (driving) wheels   | Max. 3.5 bar     |
| Diameter Steering wheels   | 200 mm           |
| Tyre pressure, front (steering) wheels   | Max. 2.5 bar     |
| Storage and use temperature  | + 5 °C - + 41 °C |
| Storage and use humidity   | 30% - 70%        |
| <b>We reserve the right to introduce technical changes. Measurement tolerance <math>\pm 15</math> mm / 1,5 kg / 1,5°</b> |                  |









## Service registration form

This product (name): .....

was inspected (I), serviced (S), repaired (R) or disinfected (D):

|   |   |   |
|---|---|---|
| By (stamp):<br><br><br><br><br><br><br><br><br><br>Kind of work: I / S / R / D<br>Date: | By (stamp):<br><br><br><br><br><br><br><br><br><br>Kind of work: I / S / R / D<br>Date: | By (stamp):<br><br><br><br><br><br><br><br><br><br>Kind of work: I / S / R / D<br>Date: |
| By (stamp):<br><br><br><br><br><br><br><br><br><br>Kind of work: I / S / R / D<br>Date: | By (stamp):<br><br><br><br><br><br><br><br><br><br>Kind of work: I / S / R / D<br>Date: | By (stamp):<br><br><br><br><br><br><br><br><br><br>Kind of work: I / S / R / D<br>Date: |
| By (stamp):<br><br><br><br><br><br><br><br><br><br>Kind of work: I / S / R / D<br>Date: | By (stamp):<br><br><br><br><br><br><br><br><br><br>Kind of work: I / S / R / D<br>Date: | By (stamp):<br><br><br><br><br><br><br><br><br><br>Kind of work: I / S / R / D<br>Date: |
| By (stamp):<br><br><br><br><br><br><br><br><br><br>Kind of work: I / S / R / D<br>Date: | By (stamp):<br><br><br><br><br><br><br><br><br><br>Kind of work: I / S / R / D<br>Date: | By (stamp):<br><br><br><br><br><br><br><br><br><br>Kind of work: I / S / R / D<br>Date: |
| By (stamp):<br><br><br><br><br><br><br><br><br><br>Kind of work: I / S / R / D<br>Date: | By (stamp):<br><br><br><br><br><br><br><br><br><br>Kind of work: I / S / R / D<br>Date: | By (stamp):<br><br><br><br><br><br><br><br><br><br>Kind of work: I / S / R / D<br>Date: |



Vermeiren GROUP  
Vermeirenplein 1 / 15  
2920 Kalmthout  
BE

website: [www.vermeiren.com](http://www.vermeiren.com)

### **Instructions for specialist dealer**

This instruction manual is part and parcel of the product and must accompany every product sold.

Version: J, 2022-03

Basic UDI: 5415174 122106Jazz S50 BF

**All rights reserved, including translation.**

**VERMEIREN**  
we care for you