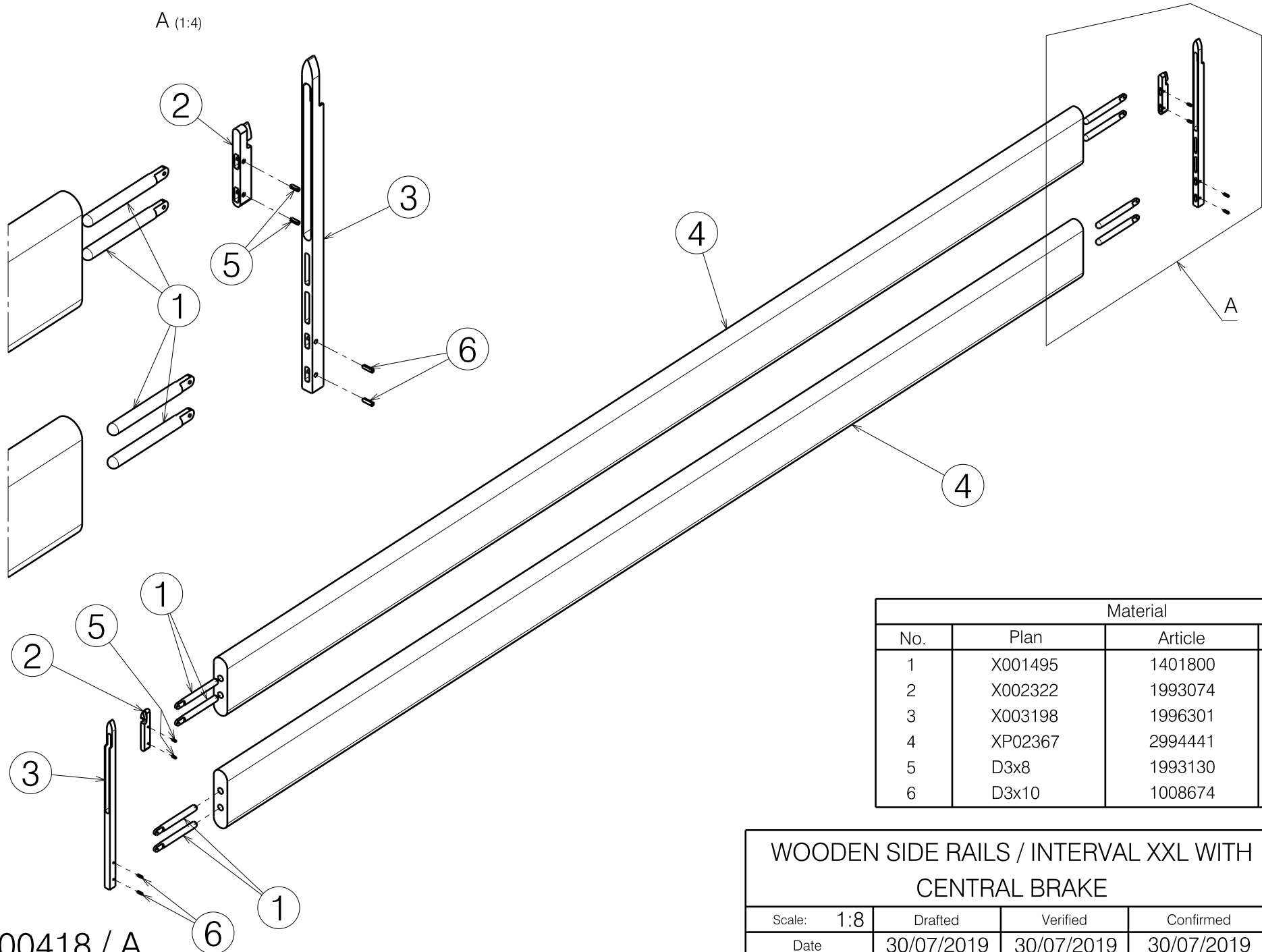


A (1:4)



Material			
No.	Plan	Article	Quantity
1	X001495	1401800	8
2	X002322	1993074	2
3	X003198	1996301	2
4	XP02367	2994441	2
5	D3x8	1993130	4
6	D3x10	1008674	4

EP00418 / A

WOODEN SIDE RAILS / INTERVAL XXL WITH
CENTRAL BRAKE

Plan No.

EP00418 / A

Scale: 1:8

Drafted

Verified

Confirmed

Date

30/07/2019

30/07/2019

30/07/2019

Initials

AZ

TK

TK

