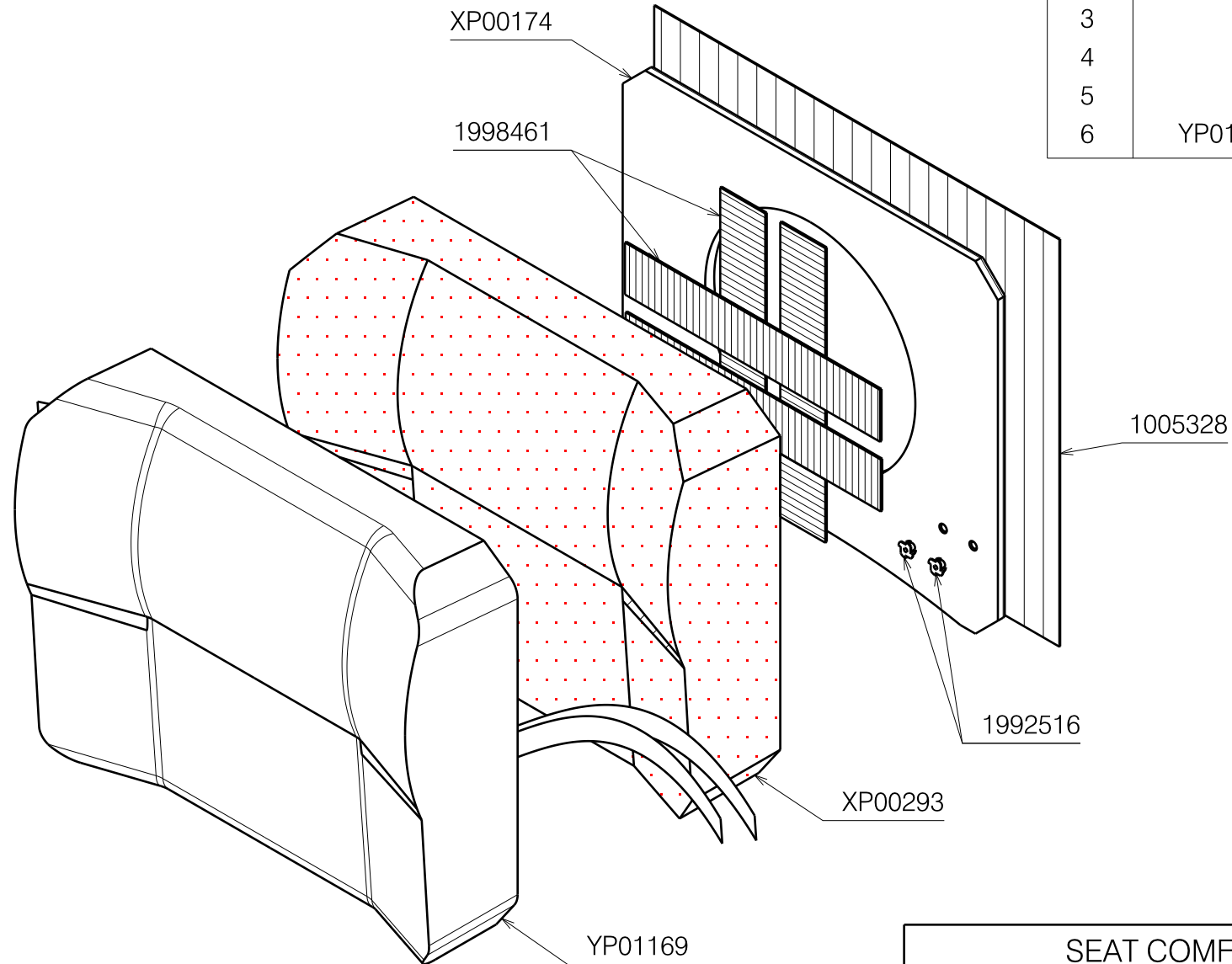


| Material | | | |
|-----------|----------------|-------------------|----------------|
| No. / Nr. | Plan / Rysunek | Article / Artykul | Number / Ilosc |
| 1 | XP00174 | HP00054 | 1 |
| 2 | XP00293 | 1998720 | 1 |
| 3 | | 1005328 | 1 |
| 4 | | 1992516 | 4 |
| 5 | | 1998461 | 4 |
| 6 | YP01169 | FP00557 | 1 |



E000361 /A

2990143

| | | | |
|------------------------------|-------------------|----------------------|-------------------------|
| SEAT COMFORT CHAIR | | | Plan No. / Nr.rys. |
| SIEDZISKO FOTEL WYPOCZYNKOWY | | | E000361 /A |
| Scale / Skala 1:5 | Drafted / Rysowal | Verified / Sprawdzil | Confirmed / Zatweirdzil |
| Date / Data | 23/04/2007 | 26/04/2007 | 26/04/2007 |
| Init. / Inic. | BS | BS | TK |

