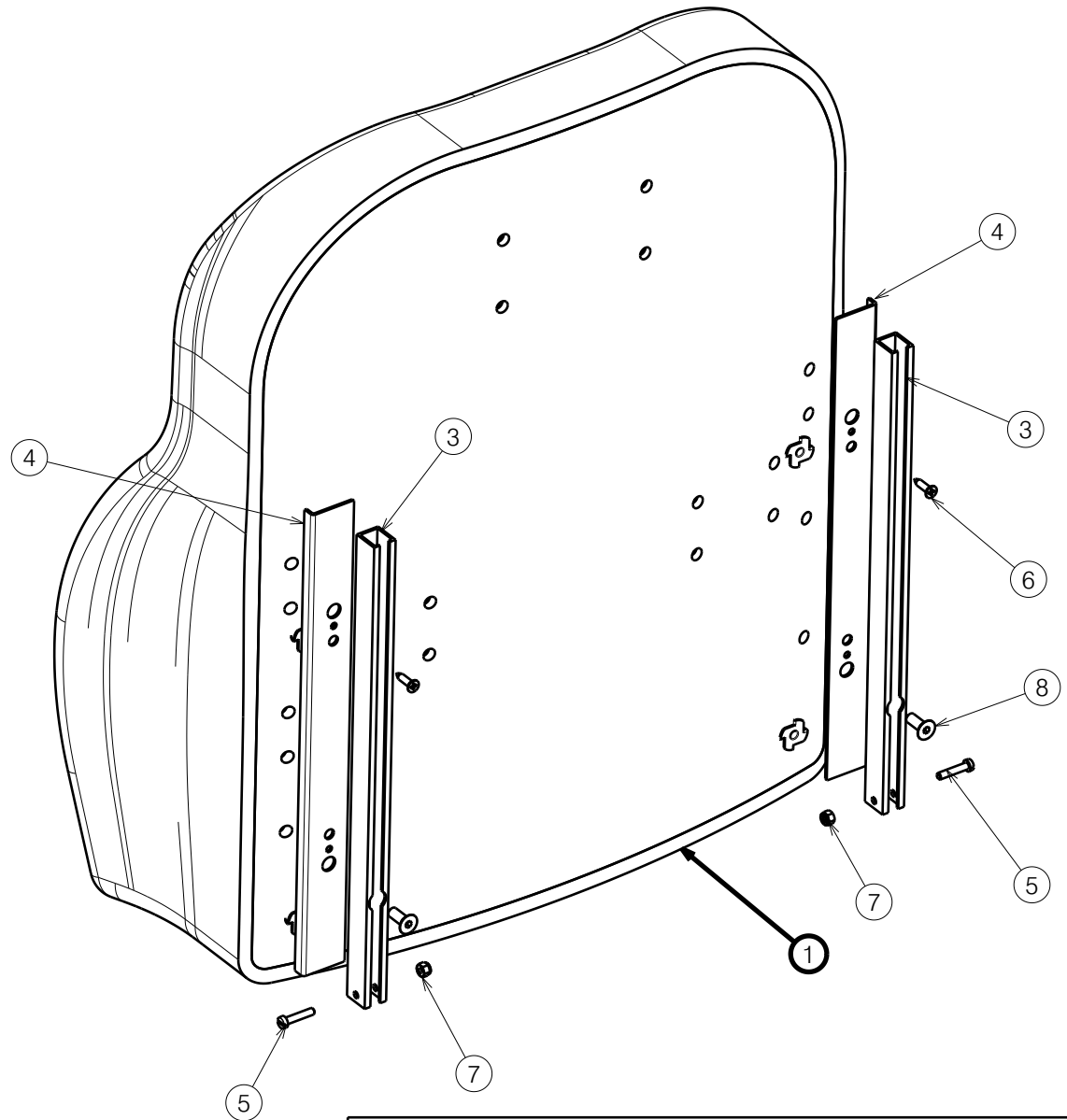


Material			
No.	Plan	Article	Qty
1	Grey soft (40)	1906939	1
	Black soft (40)	2998162	1
	Grey soft (45)	1906941	1
	Black soft (45)	2998163	1
3	P00029438	2082054	2
4	P00029440	2082154	2
5	M4x20	1001466	2
6	D3.9x16	1005767	2
7	M4 DIN985	1001678	2
8	M6X16 DIN7991	1994752	2



SUD BACK REST HEIGHT ADJUSTABLE			
Scale:	1:4	Drafted	Verified
Date	17/03/2022	15/12/2023	15/12/2023
Initials	SD	PM	MK

XXX
Plan No. E00032378/C1.1