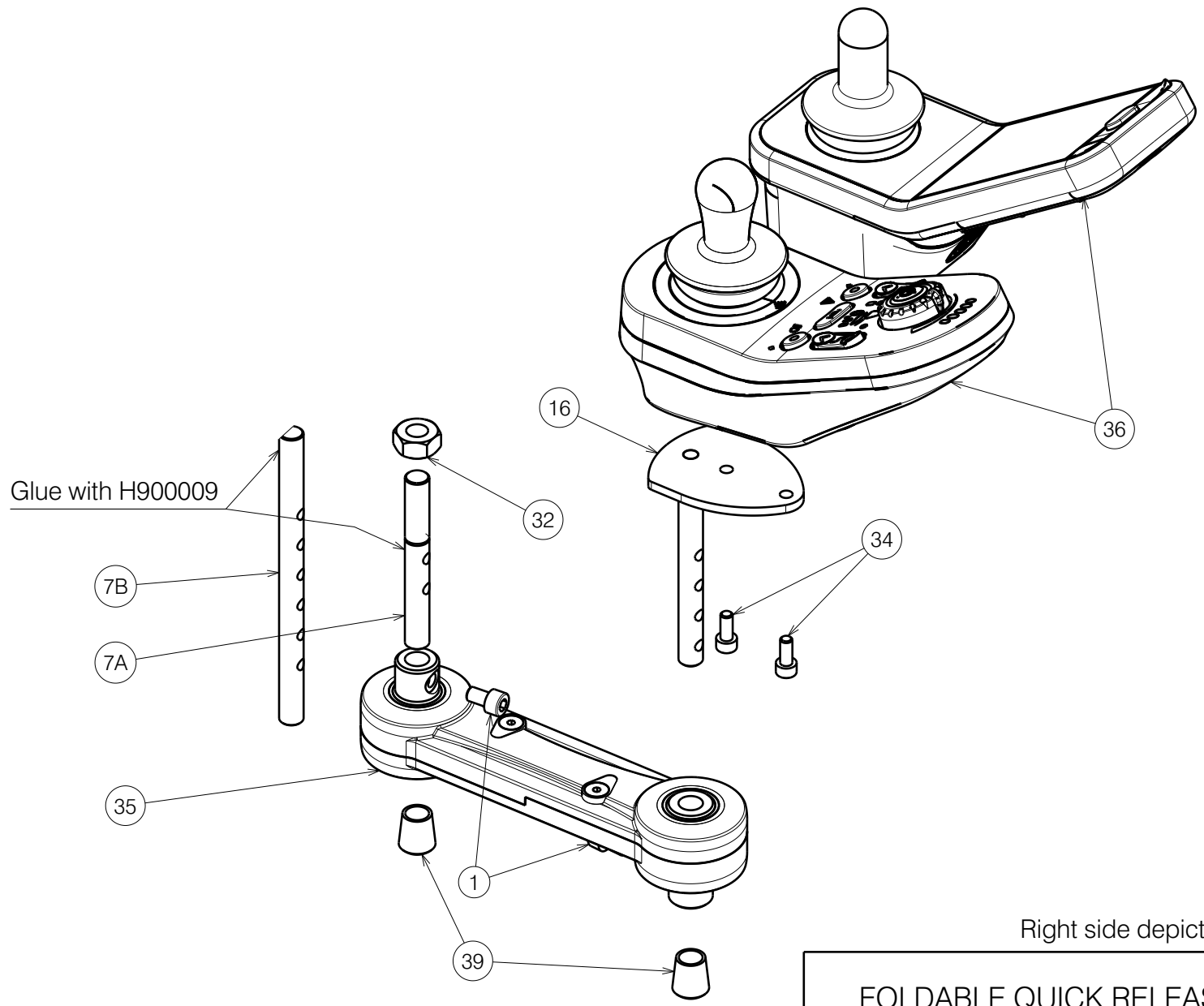


2992223

E000946 / T

FOLDABLE QUICK RELEASE ARMREST				Plan No.
				E000946 / T
Scale: 1:4	Drafted	Verified	Confirmed	
Date	27/02/2014	15/12/2023	15/12/2023	
Initials	SD	PM	MK	



Right side depicted

Sheet 2/3

2992223

E000946 / T

FOLDABLE QUICK RELEASE ARMREST				Plan No.
				E000946 / T
Scale: 1:4	Drafted	Verified	Confirmed	
Date	27/02/2014	15/12/2023	15/12/2023	
Initials	SD	PM	MK	


				Material							
No.	Plan	Article	Quantity	No.	Plan	Article	Quantity	No.	Plan	Article	Quantity
1	X002112	1001491	2	21A	Y020645	2003054 (R)	1	43	M6x6 ISO7380	1906051	2
2a	X003700	1998790 (R)	1		Y020644	2002954 (L)	1	44*	2,0 m	1912412	1
	X003699	1998789 (L)	1	21B	Y020719	2003854 (R)	1	45*	1,5 m	1912299	1
2b	Black soft	2998161 (R)	1		Y020718	2003754 (L)	1	46*	0.5 m	1912303	2
	Black soft	2998160 (L)	1	21C	Y023363	2055254 (R)	1	* Not depicted			
	Black skai	1913931 (R)	1		Y023362	2055154 (L)	1				
	Black skai	1913930 (L)	1	22	M8X35 DIN933	1001444	1				
	Soft grey	1911556 (R)	1	23	M6X16 DIN912	1001492	2				
	Soft grey	1911555 (L)	1	24	---	1001581	1				
3	X004423	1717300	1	25	---	1001616	2				
4	X004736	1905736	2	26	M6 DIN985	1001680	2				
5	X004997	1773200	1	27	M8 DIN125	1001556	1				
6	X005004	1773354	1	28	X005401	1910679	1				
7	X005100	G116500 (St.)	1	29	M6X20 ISO7380	1006999	2				
	X004992	G116300 (Option)	1	30	M6X12 ISO7380	1007000	4				
8	X005213	1910168	1	31	D3x10	1008674	1				
9	X005215	1910104 (R)	1	32	M10X1 DIN934	1901345	1				
	X005216	1910105 (L)	1	33	M6X16 DIN7991	1994752	1				
10	X005272	1798600	1	34	M5X12 DIN912	1001489	2				
11	X005273	1791000	1	35	P000027	1908428	1				
12	XP00190	2990049 (L)	1	36	SE39	1912301	1				
	XP00085	2990047 (R)	1		SE39-SE19	1912296	1				
13	Y018161	17694.. (R)	1		SE39-SE19-ACT	1912305	1				
	Y017339	17693.. (L)	1		LCD	1913523	1				
14	Y018173	1770254	1		Drive only	1910700	1				
15	Y018397	17696.. (R)	1	38	M4x4 DIN916	1910674	1				
	Y018394	17695.. (L)	1	39	---	1900072	2				
16	Y021992	2021854	1	40	M6x20 DIN912	1001493	1				
17	X005367	1910362	1	42	Y021389	2012054	1				
18	Y020143	2002854	2								
19	X004994	1773154	1								
20	Y020367	20026 (R)	1								
	Y020368	20027 (L)	1								
20A	X005214	G118254	1								
20B	X005270	G001183	1								
20C	X005282	G101900	1								

Notes	
21A - Regular models	
21B - SUD size 45	
21C - SUD size 40	
Configuration	Cables
SU (stand-up)	1x44 - 1x45
SE42 (lift)	1x44 - 1x45
SE09 / SU	1x44 - 1x45 - 2x46
SE09 / SE42	1x44 - 1x45 - 2x46

Sheet 3/3

2992223

E000946 / T

FOLDABLE QUICK RELEASE ARMREST				Plan No.
				E000946/ T
Scale: 1:4	Drafted	Verified	Confirmed	
Date	27/02/2014	15/12/2023	15/12/2023	
Initials	SD	PM	MK	