
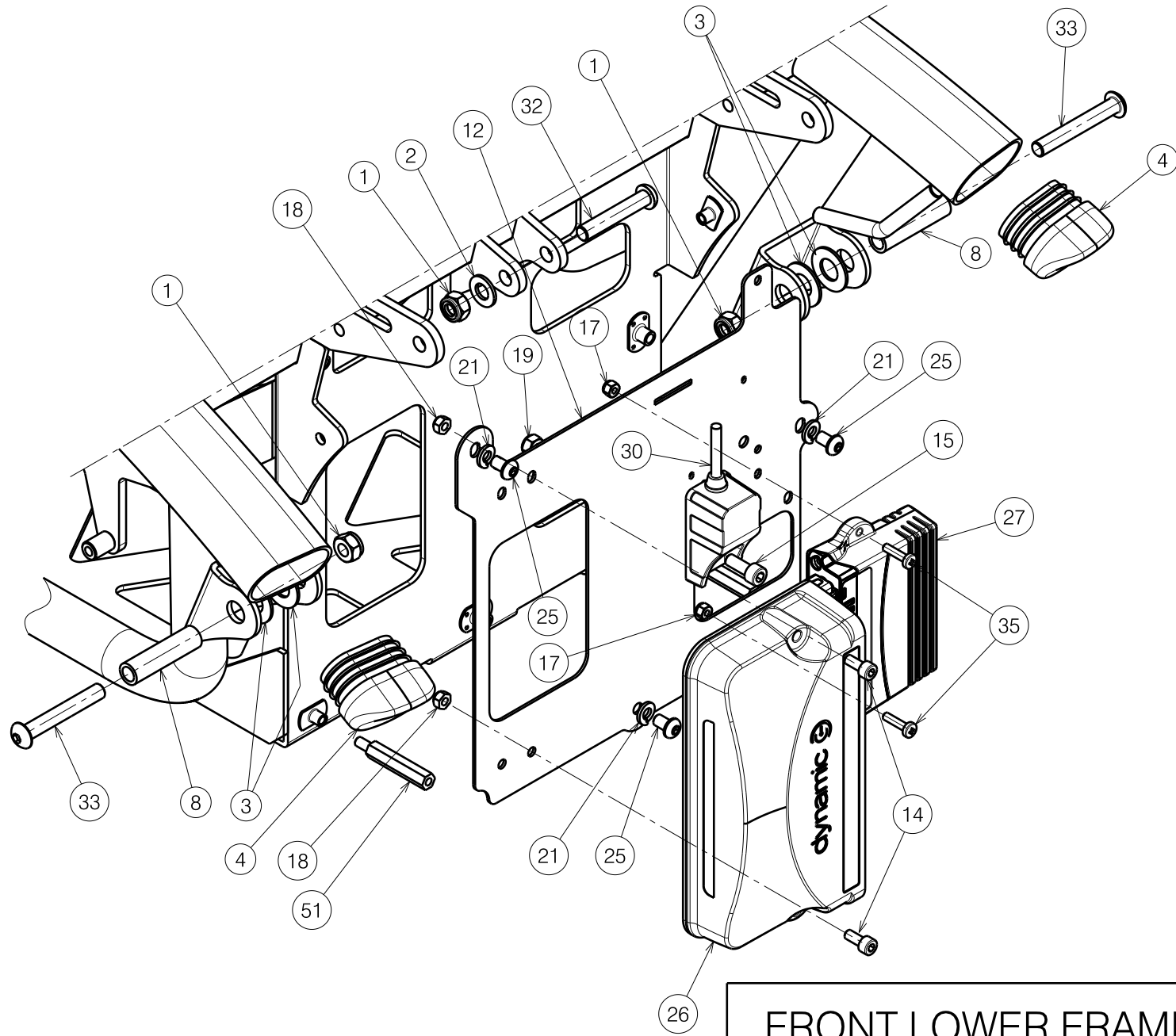


E000823 / M

Sheet 1/3

| | | | | |
|-------------------------|------------|------------|------------|---|
| FRONT LOWER FRAME TIMIX | | | | Plan No. |
| | | | | E000823 / M |
| Scale: 1:7 | Drafted | Verified | Confirmed |  |
| Date | 03/07/2012 | 27/10/2016 | 27/10/2016 | |
| Initials | JG | SD | PJ | |



| | | | | |
|----------------------------------|------------|------------|------------|-------------|
| <h1>FRONT LOWER FRAME TIMIX</h1> | | | | Plan No. |
| | | | | E000823 / M |
| Scale: 1:7 | Drafted | Verified | Confirmed | |
| Date | 03/07/2012 | 27/10/2016 | 27/10/2016 | |
| Initials | JG | SD | PJ | |


| Material | | | | | | | |
|----------|------------------|---------|----------|------|----------------|---------|----------|
| No. | Plan | Article | Quantity | No. | Plan | Article | Quantity |
| 1 | X001016 | 1001682 | 4 | 27 | 2 ACT | 1912304 | 1 |
| 2 | X001119 | 1001554 | 1 | | 4 ACT | 1912307 | 1 |
| 3 | --- | 1908512 | 4 | 29* | LA23 | 1906790 | 1 |
| 4 | X004778 | 1908255 | 4 | 30 | --- | 1912309 | 1 |
| 5 | X004953 | 1908123 | 1 | 31 | M10x40 ISO7380 | 1992592 | 1 |
| 6 | X004965 | 1908256 | 1 | 32 | M8x45 ISO7380 | 1994473 | 1 |
| 7 | X004966 | 1908260 | 1 | 33 | M8x55 ISO7380 | 1995854 | 1 |
| 8 | X004968 | 1772700 | 2 | 34 | 80 Ah | 1909646 | 2 |
| 9 | X004970 | 1908261 | 1 | 35 | M4x16 ISO7380 | 2990185 | 2 |
| 10 | Y017910 DP | 17689.. | 1 | 36 | --- | 1990752 | 4 |
| 11 | Y018191 | 1770454 | 1 | 37* | --- | 1906791 | 1 |
| 12 | Y018965 | 1778254 | 1 | 38* | --- | 1906792 | 1 |
| 13 | 150 A | 1910488 | 1 | 39 | M6 DIN125A | 1000973 | 2 |
| 14 | M5x12 DIN912 | 1001489 | 2 | 41 | M6 DIN127 | 1004414 | 4 |
| 15 | M6x16 DIN912 | 1001492 | 1 | 42 | M6x20 ISO7380 | 1006999 | 4 |
| 16 | --- | 1001606 | 2 | 44 | M6X50 DIN963 | 1001483 | 2 |
| 17 | M4 DIN985 | 1001678 | 2 | 47** | Y019503 | 1785354 | 1 |
| 18 | M5 DIN985 | 1001679 | 2 | 48** | Y019507 | 1785554 | 1 |
| 19 | M6 DIN985 | 1001680 | 1 | 49** | M10 DIN125 | 1001558 | 2 |
| 20 | M10 DIN985 | 1001683 | 1 | 50** | M8x35 ISO7380 | 1993236 | 1 |
| 21 | DIN127-B | 1004414 | 3 | 51 | M5x40 | 1909530 | 2 |
| 22 | M5x10 ISO7380 | 1007063 | 4 | 52 | M5x15 | 1909529 | 4 |
| 23 | M6x16 ISO7380 | 1008459 | 4 | 53* | not depicted | 1906791 | 1 |
| 25 | M6x10 ISO7380 | 1900641 | 3 | 54* | not depicted | 1906792 | 1 |
| 26 | 60A (6 / 10 kph) | 1912294 | 1 | | | | |
| | 75A (14 kph) | 1912302 | 1 | | | | |

* For electric seat inclination

** For manual seat angle

E000823 / M

Sheet 3/3

| | | | | |
|-------------------------|------------|------------|------------|---|
| FRONT LOWER FRAME TIMIX | | | | Plan No. |
| | | | | E000823 / M |
| Scale: 1:7 | Drafted | Verified | Confirmed |  |
| Date | 03/07/2012 | 27/10/2016 | 27/10/2016 | |
| Initials | JG | SD | PJ | |