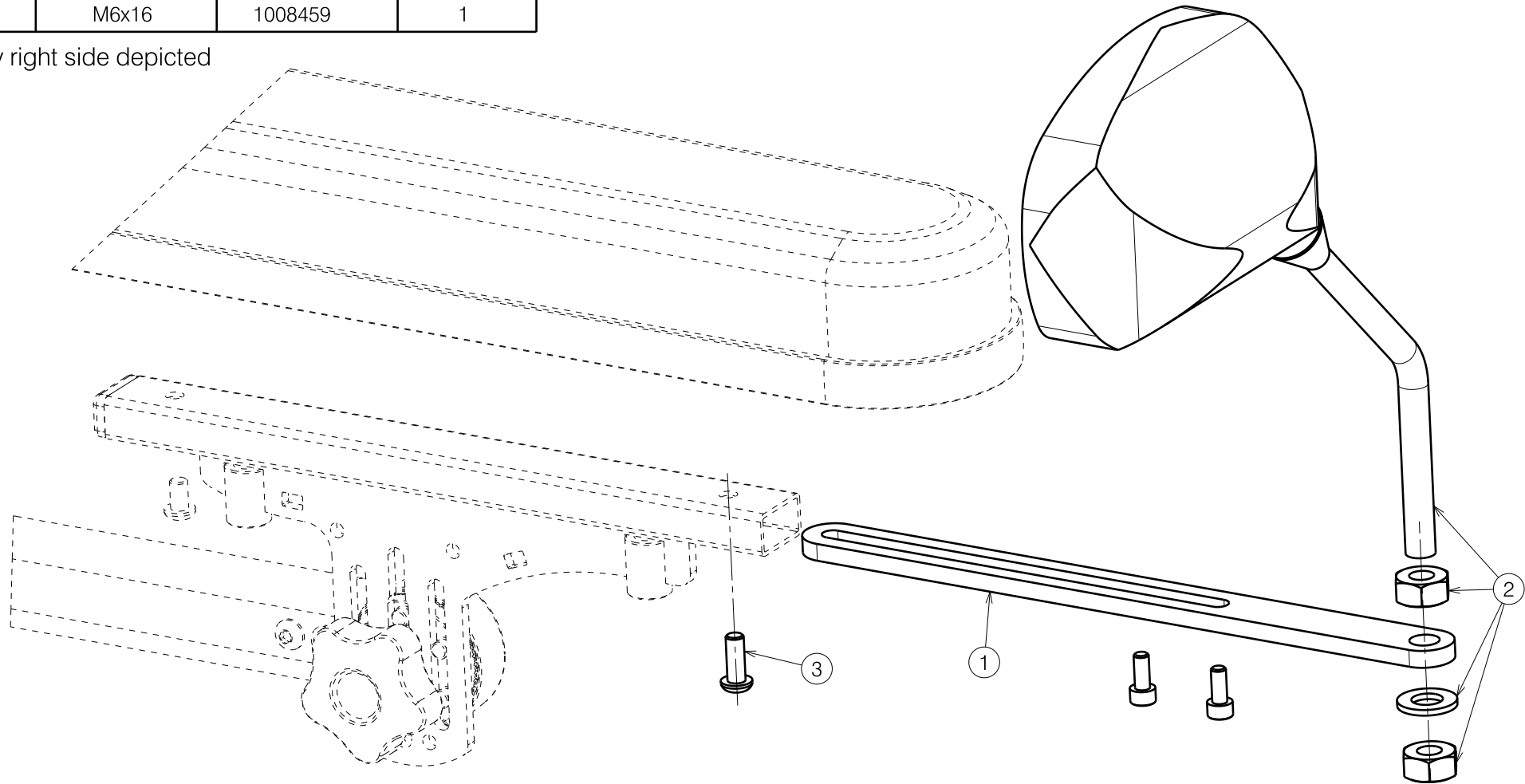


Material			
No.	Plan	Article	Quantity
1	Y019501	1785654	1
2	---	1904227 (L)	1
	---	1904228 (R)	1
3	M6x16	1008459	1

Only right side depicted

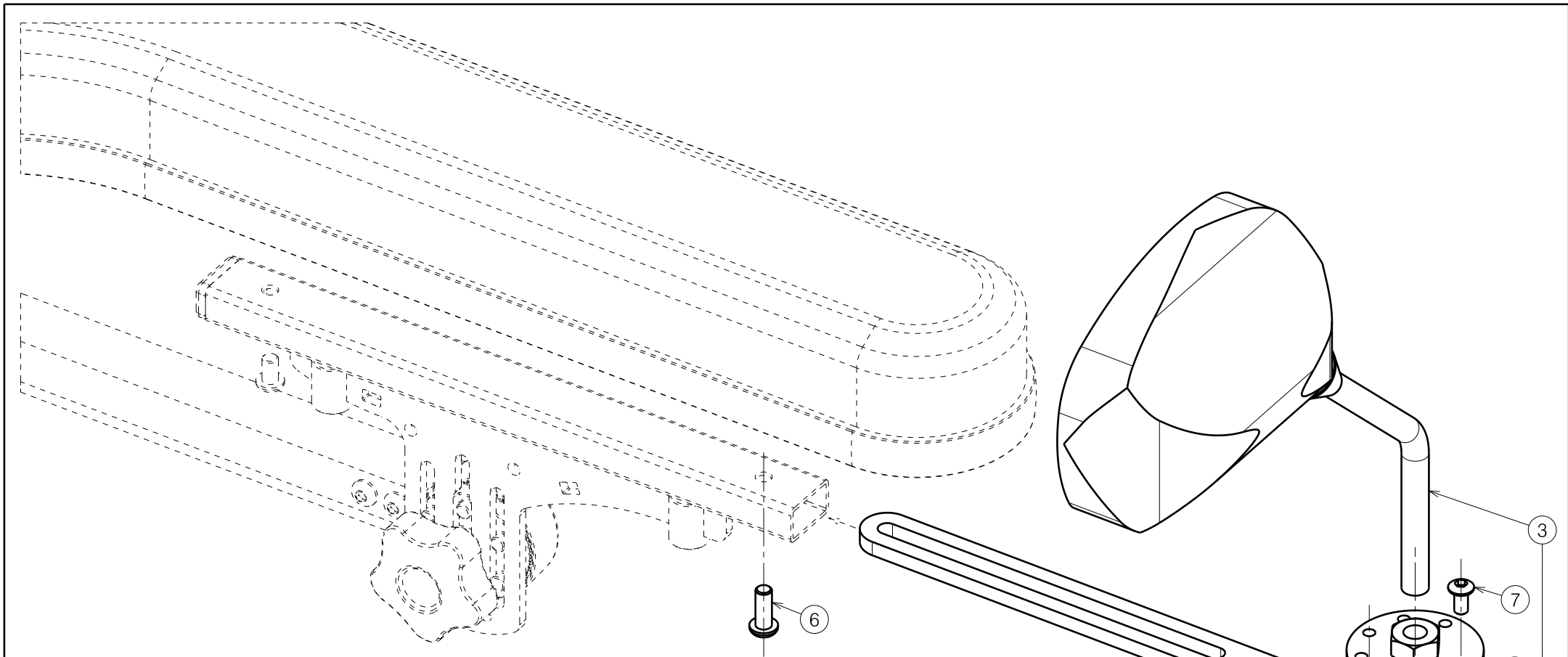


1909109 / 1909110

E000868 / F

Sheet 1/3

SE74 MIRROR WITH HOLDER TIMIX / FOREST 3 / SIGMA				Plan No. E000868/F
Scale: 1:2	Drafted	Verified	Confirmed	
Date	25/02/2013	22/06/2021	22/06/2021	
Initials	SV	SD	PJ	



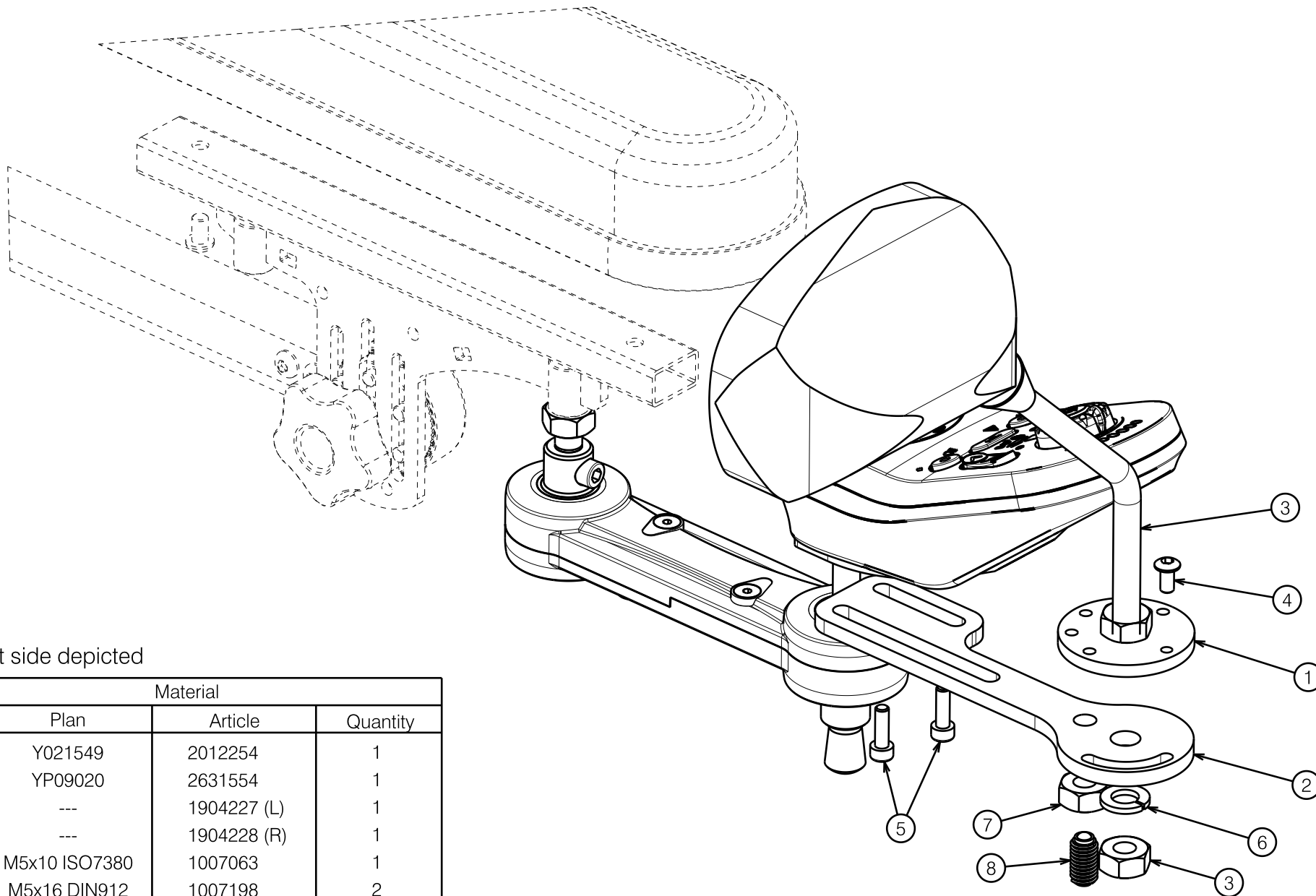
Only right side depicted

Material			
No.	Plan	Article	Quantity
1	Y021547	2012154	1
2	Y021549	2012254	1
3	---	1904227 (L)	1
	---	1904228 (R)	1
4	M10 DIN127A	1001566	1
5	M10 DIN934	1001672	1
6	M6x16	1008459	1
7	M5x10	1007063	1
8	M10x19	1991432	1

LEFT : 1911392
RIGHT: 1911393

SE74A MIRROR WITH HOLDER				Plan No.
TIMIX / FOREST 3 / SIGMA - RETRACTABLE VERSION				E000868/F
Scale: 1:2	Drafted	Verified	Confirmed	
Date	25/02/2013	22/06/2021	22/06/2021	
Initials	SV	SD	PJ	


E000868 / F



Only right side depicted

Material			
No.	Plan	Article	Quantity
1	Y021549	2012254	1
2	YP09020	2631554	1
3	---	1904227 (L)	1
	---	1904228 (R)	1
4	M5x10 ISO7380	1007063	1
5	M5x16 DIN912	1007198	2
6	M10 DIN127	1001566	1
7	M10 DIN934	1001672	1
8	M10x19	1991432	1

E000868 / F

SE74A MIRROR WITH HOLDER TIMIX / FOREST 3 / SIGMA - CONTROLLER VERSION				Plan No.
				E000868/F
Scale: 1:2	Drafted	Verified	Confirmed	
Date	25/02/2013	22/06/2021	22/06/2021	
Initials	SV	SD	PJ	