
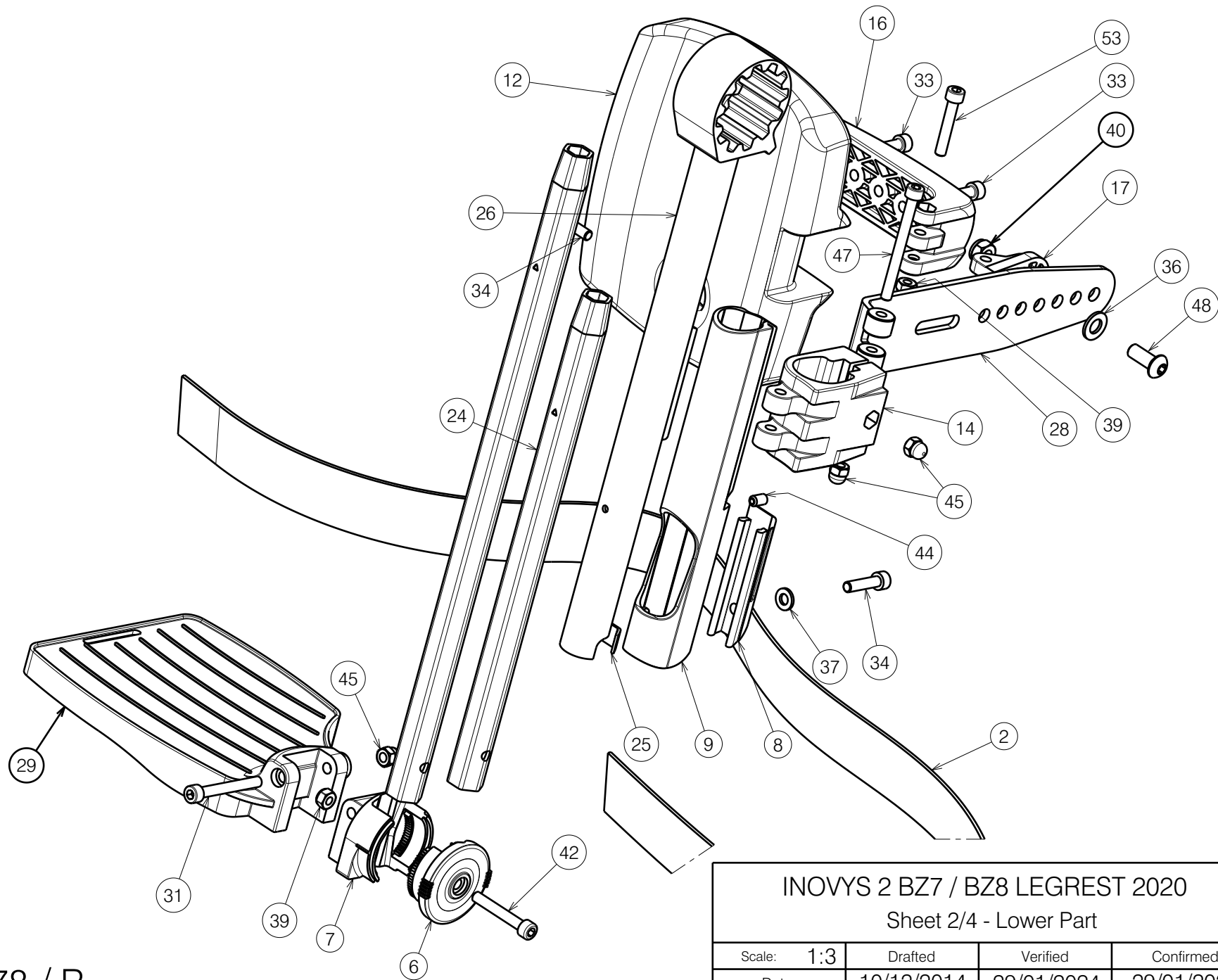


G Add glue Weicon
AN302-43 (H900009)

INOVYS 2 BZ7 / BZ8 LEGREST 2020 Sheet 1/4 - Upper Part				Plan No. E000978/R
Scale: 1:3	Drafted	Verified	Confirmed	
Date	10/12/2014	29/01/2024	29/01/2024	
Initials	SD	AZ	AS	

E000978 / R



E000978 / R

INOVYS 2 BZ7 / BZ8 LEGREST 2020

Sheet 2/4 - Lower Part

Plan No.

E000978/R

Scale: 1:3

Drafted

Verified

Confirmed

Date

10/12/2014

29/01/2024

29/01/2024

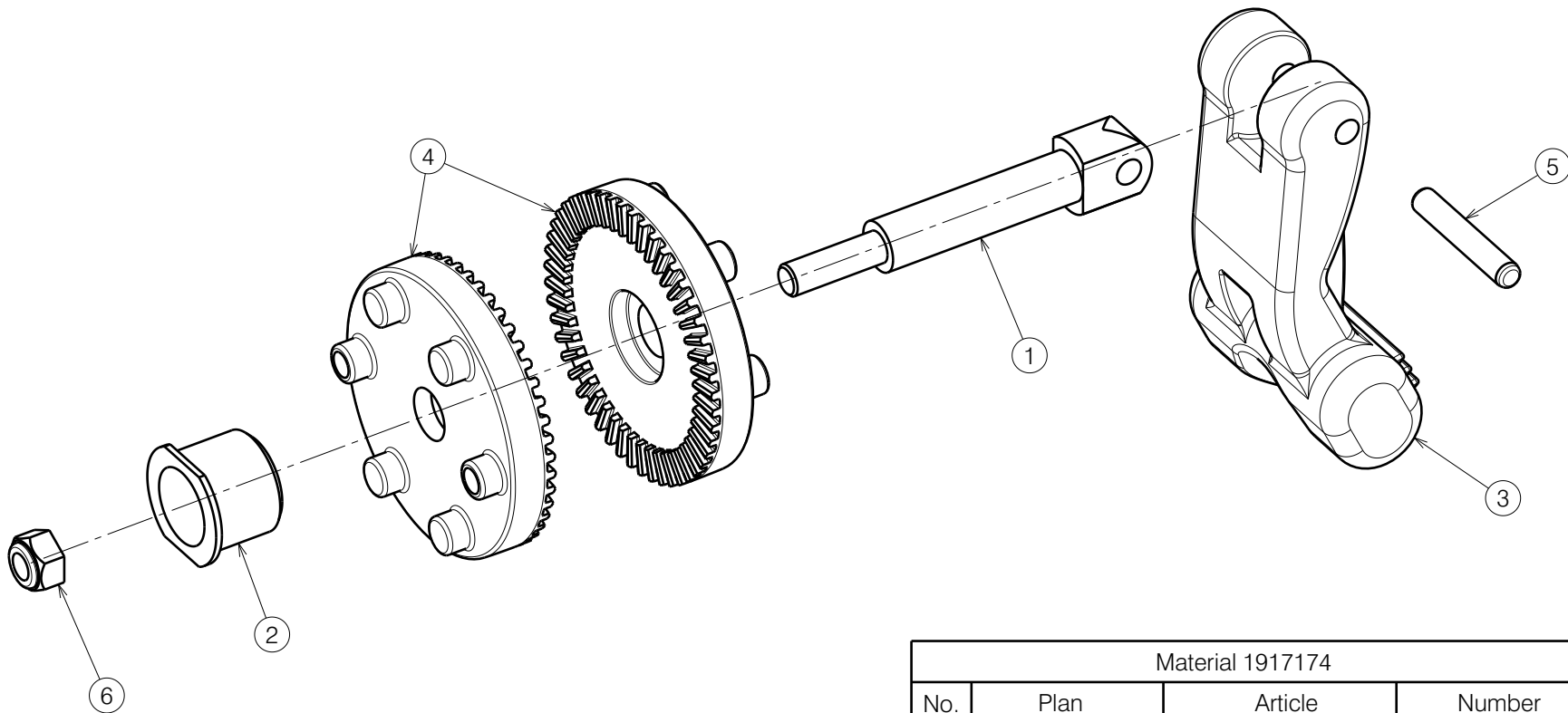
Initials

SD

AZ

AS





Material 1917174			
No.	Plan	Article	Number
1	X005028	G103900	1
2	X005046	G103800	1
3	X005055	1917169	1
4	X005880	1915832	2
5	G0409	G0409	1
6	1001679	1001679	1

Quantities are for one side

1917174

INOVYS 2 BZ7 / BZ8 LEGREST 2020 Sheet 3/4 - Replacement kit				Plan No.
				E000978/R
Scale: 1:3	Drafted	Verified	Confirmed	
Date	10/12/2014	29/01/2024	29/01/2024	
Initials	SD	AZ	AS	

E000978 / R

Material							
No.	Plan	Article	Quantity	No.	Plan	Article	Quantity
1	X000227	1465200	2	28	Y020995	2009154	1
2	---	1905642	1	29	X004570 (35)	1904646 (L)	1
3	X002126	1992429	1		X004571 (35)	1904647 (R)	1
4	X002169	1992791	1		X004457 (40)	1904475 (R)	1
5	X004360	G080000	1		X004453 (40)	1904210 (L)	1
6	X004464	1904212	1		X004572 (45-50)	1904648 (L)	1
7	X004465	1904213	1		X004573 (45-50)	1904649 (R)	1
8	X004658	1904968	1	30	Y021063	2009654 (L)	1
9	X004666	1905731	1		Y021067	2009754 (R)	1
10	X004690	1905735	1	31	M6x50 DIN912	2995258	1
11A	X004713	1905734	1	32	Ø4x24 DIN6325	G0409	1
11B	Y021864	F007208	0.5	33	M6x16 DIN912	2994065	2
12	X004733	1905733	1	34	M6x25 DIN912	2996887	2
13	X005880	1915832	2	36	M8 DIN126	1996214	1
14	X004739	1905739	1	37	M6 DIN125	2994414	1
15	X004744	1737100	1	38	M5 DIN985	1001679	1
16	X004784	1905950	1	39	M6 DIN985	2994063	2
17	X004787	1905947	1	40	M8 DIN985	1996213	1
18	X004795	1905970	2	42	M6x40 DIN912	1915950	1
19	X005025	1772000	1	44	M6x12 DIN916	1005949	1
20	X005028	G103900	1	45	M6 DIN986	2994059	5
21	X005046	G103800	1	46	---	1906679	1
22	X005047	1908420	1	47	M6x65 DIN912	2995119	1
23	X005055	1917169	1	48	M8x20 ISO7380	1915944	1
24	Y017321	F006420 (BZ7)	1	50	M5 DIN986	2994902	1
	Y016499	F006269 (BZ8)	1	51	M6x16 DIN7991	2994064	2
25	Y016501	1733500	1	52A	M5x10 DIN7991	1918967	2
26	Y018568	1771754	1	52B	Ø3.9x16 DIN7982	3994497	2
27	Y020947	2008854 (L)	1	53	M6X35 DIN912	2994634	1
	Y020952	2008954 (R)	1	54	M5 DIN125	1001550	2

Option A: Knee protector PU

Option B: Knee protector V40

Option B complete

E001015 = 1912112

INOVYS 2 BZ7 / BZ8 LEGREST 2020

Sheet 4/4 - BOM

Plan No.

E000978/R

Scale: 1:3

Drafted

Verified

Confirmed

Date

10/12/2014

29/01/2024

29/01/2024

Initials

SD

AZ

AS



E000978 / R